

Año de Construcción 2004

Spare parts Catã logo

Recogedor - Cargador

Precision Chop Loaderwagon

**RAPIDE 130E - 165 - 205 -
240 - 340**



Schuitemaker



Schuitemaker Machines BV
Correa Postal 219
7460 AE Rijssen - Olanda
Teléfono: 0031 548 514125
Telocopiador: 0031 548 516840
service@schuitemaker-machines.nl
www.schuitemaker-machines.nl

Contents Casimiro 2004

Guidelines for ordering spare parts	3
1. Single-sided Wide-angle coupling with cam-type coupling	5
1.1. Cam-Type coupling	5
2. Rotor intake with drive	7
3. Floor chain with drive Rapide 130E	9
4. Floor chain with double drive	11
5. Towbar	13
6. Rotor Gearbox-RL	15
7. Floor driving gear	17
8. Pick-up Suspension with drive (5-Rows) Rapide 130E	19
9. Pick-up Suspension with drive (6-Rows)	21
10. Pick-up (6-Rows) Spring suspension gear	23
11. Double runner wheel	25
12. 5-Rows Pick-up Rapide 130E	27
13. 6-Rows Pick-up	29
14. Chopping device DBA	31
15. Chopping device GMB	33
16. Feed roller	35
17. Hydraulic parking support	37
18. Tandemframe Spring assemblie	39
19. Gigant spring assemblies	41
20. Self steering wheel axle	43
21. Wheel axles ADR Rapide 130E-MLA (Type 1008 Brake 300×90)	45
22. Wheel axles Coleart ((Typ EUR 1110) Brake 406×120)	47
23. Track following Axles Colaert Typ EUR 1110-408E (Brake 400×80)	49
24. Steering Front axle Rapide 340	51
25. Steering Rear axle Rapide 340	53
26. Front board	55
27. Tailgate	57
28. Hydraulic/Elektrical operation	59

29. Steel construction as windcover	61
30. Guide board on windcover	63
31. Gear box WG-1000 13>28 351.0084	65
32. Electrical circuit diagram 972.0004	66
33. Hydraulic system Rapide 130E	67
34. Hydraulic system Rapide 165; 205; 240	68
35. Hydraulic system Rapide 340	69

GUIDELINES FOR ORDERING SPARE PARTS

If you follow the rules stated below when ordering spare parts, you will be assured of a fast and correct delivery.

1. State the model, year of construction and serial number of your Rapide.
2. State both the full number of the part (if known) and the description.
3. State how the part needs to be despatched.
4. When ordering wheel axle parts, it is also advisable to state the wheel axle type. This can be found on the type plate of the wheel axle.

The numbers of the parts of the SCHUITEMAKER-wagons can be found in the first column below the heading *SR-no.* These can be ordered from:

SCHUITEMAKER Machines B.V. Rijssen – The Netherlands

P.O.Box 219 – 7460 AE Rijssen – The Netherlands

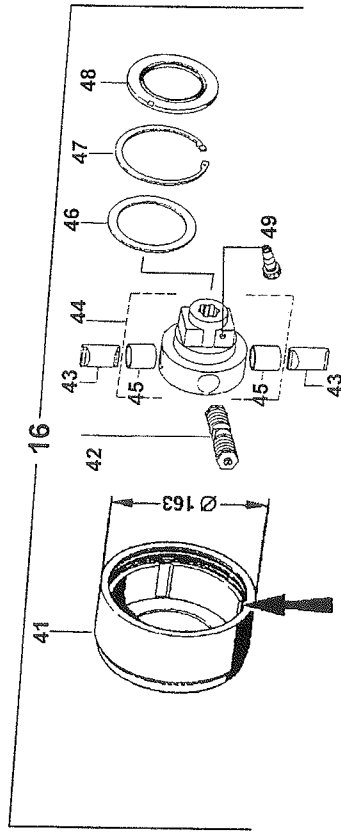
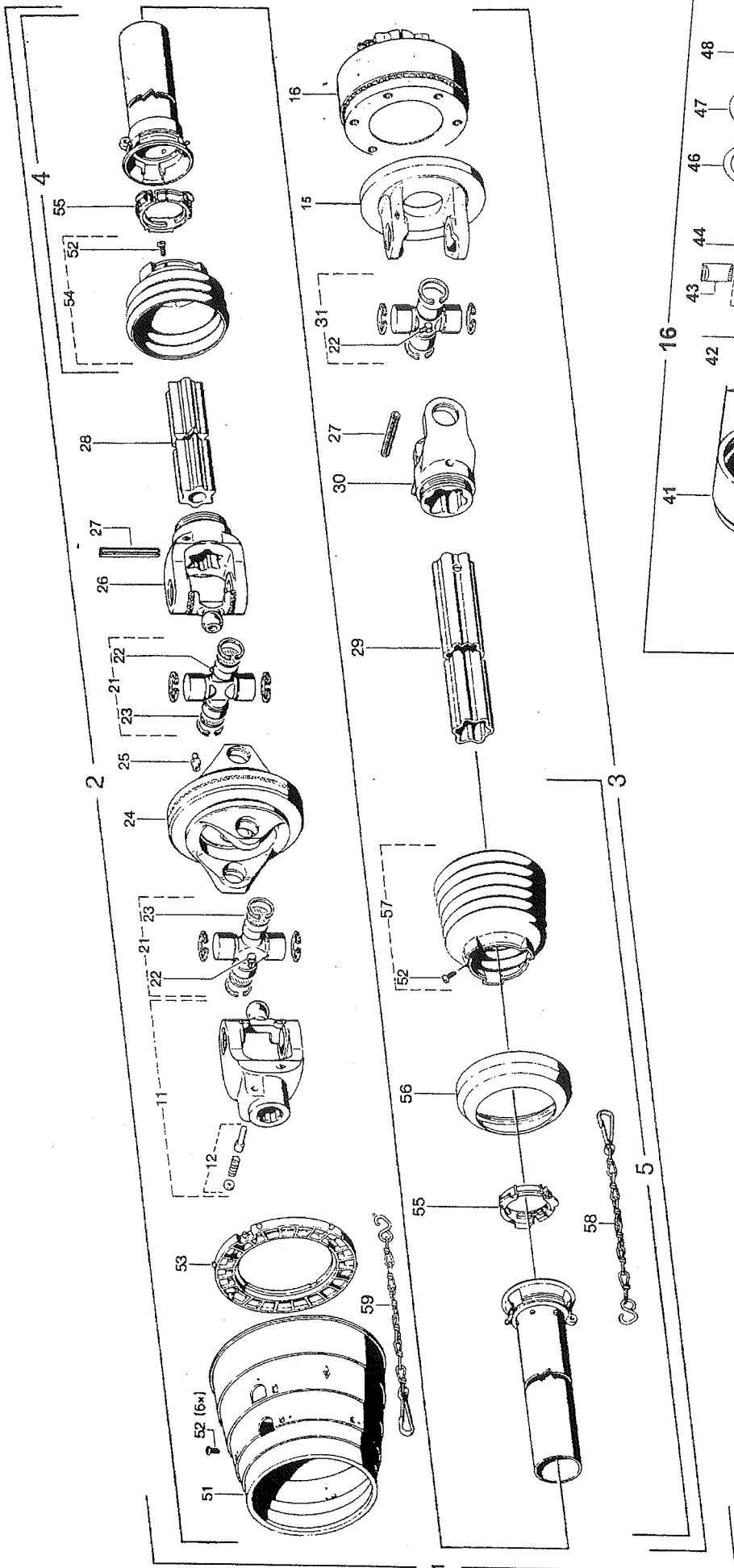
Tel: 0031 548 514125

Fax: 0031 548 516840

Spare Parts Dept :

Tel. 0031 548 514125 Ext.130

Fax: 0031 548 521386



1. SINGLE-SIDED WIDE-ANGLE COUPLING WITH CAM-TYPE COUPLING

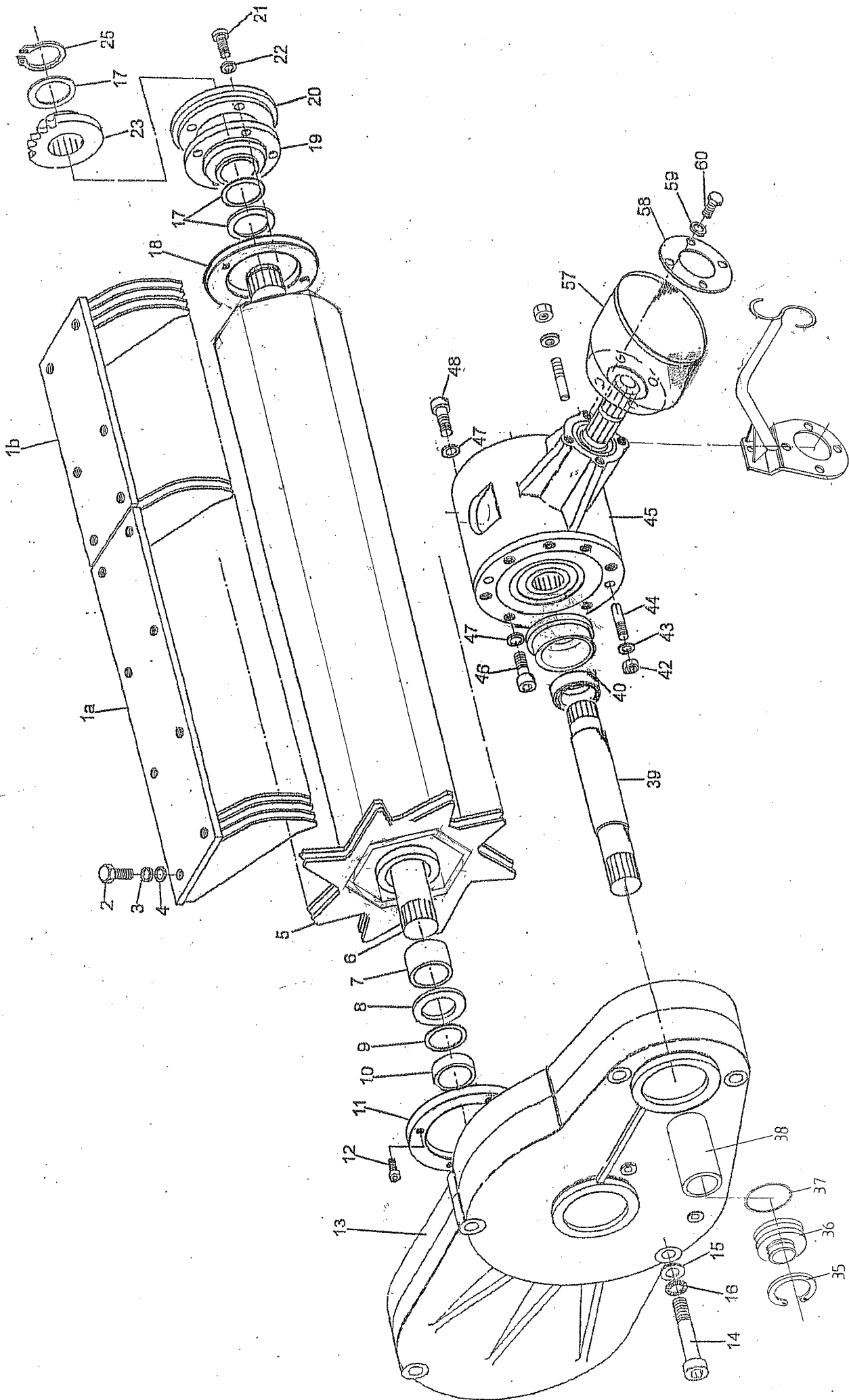
1. ENKELZIJDIGE GROOTHOEK-KOPPELINGSAS MET NOKKENKOPPELING

<i>Fig.</i>	<i>SR-no.</i>	<i>Omschrijving</i>	<i>Description</i>
1	354.0177	Koppelingsas WWE 2580 1600 Nm cpl.	Coupling shaft WWE 2580 1600 Nm cpl.
4	455.0153	Buitenbeschermbuis compleet met kap	Outside protection tube complete with cover
5	455.0152	Binnenbeschermbuis compleet met kap	Inner protection tube complete with cover
11	455.0080	Groothoek-opsteekgaffel	Wide-angle set-up fork
12	455.0046	Drukstift Set (Agra 101)	Locking pin set (Agra 101)
16	455.0125	Nokkenschakelkoppeling 1600 Nm	Cam-type coupling 1600 Nm
21	455.0090	Groothoek-kruisstuk (incl. 7 en 8)	Wide-angle cross-piece (incl. 7 and 8)
22	342.0105	Smeernippel M8×1	Grease nipple M8×1
24	455.0081	Dubbel-gaffel	Double fork
25	342.0105	Smeernippel M8×1	Grease nipple M8×1
26	455.0082	Profielgaffel	Profiled fork
27	312.0130	Spanstift DIN 1481-10×80	Clamping pin DIN 1481-10×80
28	455.0093	Sterbuis (binnen) S4GA	Profiled tube (inside) S4GA
29	455.0094	Sterbuis (buiten) S5	Profiled tube (outside) S5
30	455.0085	Profielgaffel	Profiled fork
31	455.0089	Kruisstuk	Cross-piece complete
51	455.0164	Beschermtrichter	Safety cover
53	455.0162	Glijring	Sliding ring
54	455.0154	Beschermkap met schroef (incl. 15)	Protective cover with screw (incl. 15)
55	455.0155	Glijring	Sliding ring
56	455.0088	Steunring	Supporting ring
57	455.0154	Beschermtrichter	Safety cover
59	450.0035	Borgketting	Locking chain

1.1. CAM-TYPE COUPLING

1.1. NOKKENSCHAKELKOPPELING

<i>Fig.</i>	<i>SR-no.</i>	<i>Omschrijving</i>	<i>Description</i>
16	455.0125	Nokkenschakelkoppeling 1600 Nm	Cam-type coupling 1600 Nm
41	455.0086	Koppelingshuis (rechtsdraaiend)	Coupling housing (clockwise)
42	455.0078	Schakelnok 1600 Nm	Switch cam 1600 Nm
43	455.0065	Blokkeernok	Locking cam
44	455.0063	Naaf	Hub
45	455.0064	Glijbus	Sliding sleeve
46	455.0061	Dichtring	Sealing ring
47	313.0214	Binnenborgring	Locking ring, inside
48	455.0062	Steunring	Supporting ring
49	455.0096	Klemkonus	Clamping cone

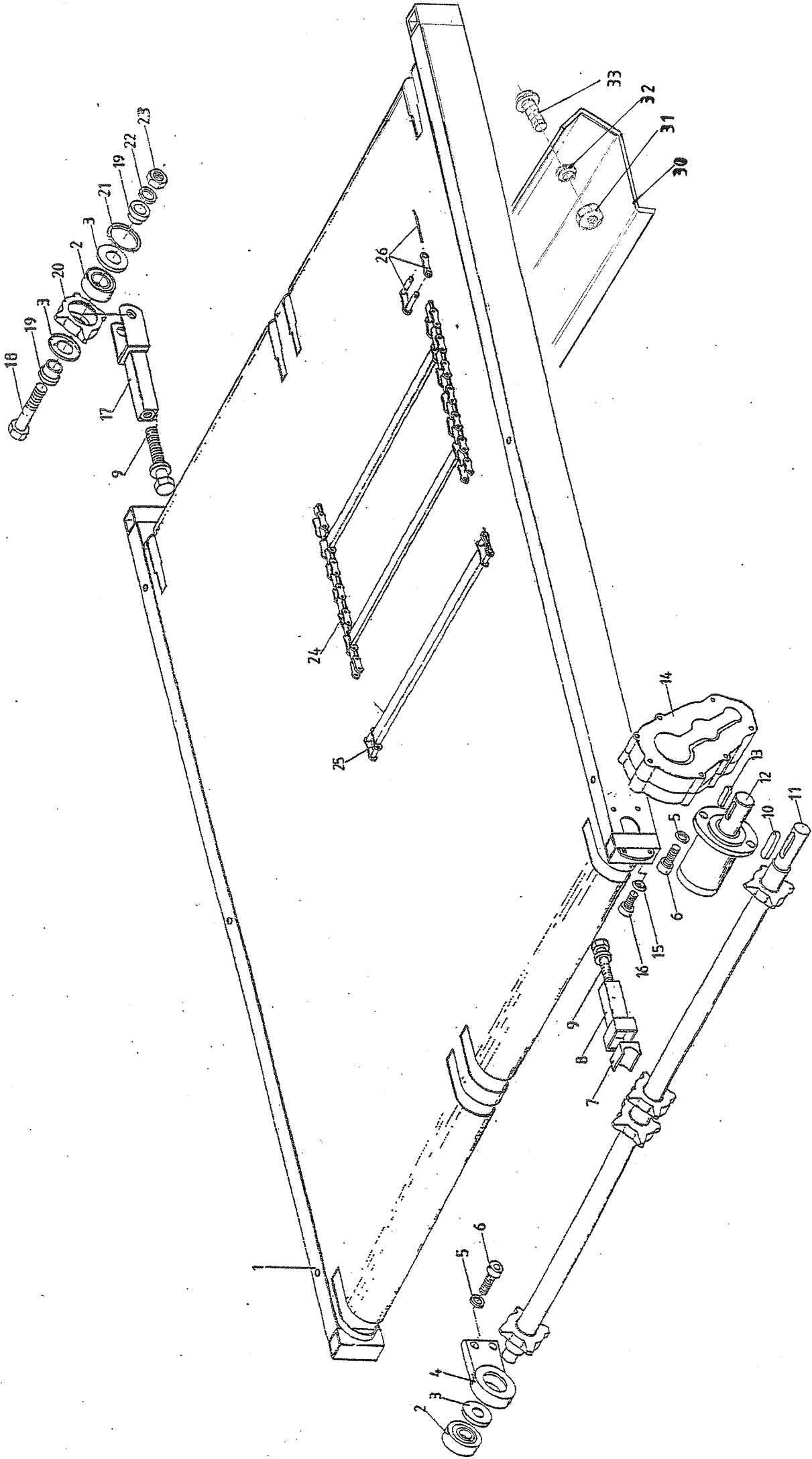


2. ROTOR INTAKE WITH DRIVE

2. ROTORINVOER MET AANDRIJVING

Drawing no. 975.0035

Fig.	SR-no.	Omschrijving	Description
1a	969.1377	Afstrijkerlijst-27 lang	Stripper frame-27 long
1b	961.0933	Afstrijkerlijst-27 kort Rapide 165; 205	Stripper frame-27 short Rapide 165; 205
	969.1378	Afstrijkerlijst-27 kort Rapide 240; 340	Stripper frame-27 short Rapide 240; 340
	937.0055	Afstrijker	Stripper
2	301.0803	Bout M12×20	Bolt M12×20
3	316.0902	Tandveerring J12	Toothed spring ring J12
4	316.0702	Sluitring A13	Washer A13
5	961.0931	Rotor 5T/6K-27 A72×66 Rapide 130E	Rotor 5T/6K-27 A72×66 Rapide 130E
	969.1381	Rotor 5T/6K-27 A72×66 Rapide 165; 205	Rotor 5T/6K-27 A72×66 Rapide 165; 205
	969.1382	Rotor 5T/6K-27 A72×66 Rapide 240; 340	Rotor 5T/6K-27 A72×66 Rapide 240; 340
6	921.0273	Rotoras B72×66 Rap.130E	Rotor shaft B72×66 Rapide 130E
	921.0524	Rotoras B72×66 Rap.165; 205	Rotor shaft B72×66 Rapide 165; 205
	921.0571	Rotoras B72x66 Rap.240; 340	Rotor shaft B72x66 Rapide 240; 340
7	402.0211	Glijlager N72100	Slide bearing N72100
8	403.0135	Loopschijf LS-75100	Counting disc LS-75100
9	349.0089	Vulschijf PS-75×95×1	Filler disc PS-75×95×1
	349.0090	Vulschijf PS-75×95×2	Filler disc PS-75×95×2
10	926.0336	Afstandbus 7228	Spacing sleeve 7228
11	969.1860	Afdichtring Re. 60/M8	Sealingring Re. 60/M8
12	302.0607	Cilinderkopbout M8×20	Cylinder head bolt M8×20
13	351.0082	Rotortandwielkast A72×66 RI (zie blz. 11)	Rotor gearbox A72×66 RI (Page 11)
14	302.0637	Cilinderkopbout M16×160	Cylinder head bolt M16×160
	302.0639	Cilinderkopbout M16×200	Cylinder head bolt M16×200
15	316.0707	Sluitring A17	Plain wassher A17
16	316.0919	Tandveerring J16,5	Toothed spring ring J16,5
17	349.0044	Vulschijf 60×75×1	Filler disc 60×75×1
	349.0047	Vulschijf 60×75×2	Filler disc 60×75×2
18	969.1861	Afdichtring Li. 60/M16	Sealing ring Li. 60/M16
19	900.0132	Kogellager RME 60/192	Ball bearing RME 60/192
20	936.0809	Eindflens 60	End flange 60
21	301.0836	Bout M16×45	Bolt M16×45
22	316.0915	Borgring NL-16 Nord-lock	Lockingring NL-16 Nord-lock
23	953.0672	Kettingwiel 1"21 met breekbout	Chainsprocket 1"21 shearing bolt
	900.0311	Breekbout M12×55	Shearing bolt M12×55
25	313.0212	Borgring A-60	Locking ring A-60
35	313.0210	Borgring I-52	Locking ring I-52
36	456.1007	Deksel	Cover
37	365.1007	O-ring 48x2	O-ring 48x2
38	456.1008	Afstandsbus	Bush
39	456.0186	Drijfvas B50×45/175 Rapide 130E	Drive shaft B50×45/175 Rapide 130E
	456.0190	Drijfvas B50×45/175 Rapide 165; 205	Drive shaft B50×45/175 Rapide 165;205
	456.0192	Drijfvas B50x45/200 Rapide 240; 340	Drive shaft B50x45/200 Rapide 240; 340
40	401.0208	Kogellager 6209-2RS	Ball bearing 6209-2RS
41	456.0097	Lagerbus	Bearing bushe
42	306.0704	Moer M12	Nut M12
43	316.0702	Sluitring A13	Washer A13
44	456.0098	Paspen 12M6×57	Dowel 12M6×57
45	351.0084	Tandwielkast WG 13>28 RI	Gear box WG 13>28 RI
46	302.0640	Cilinderkopbout M16×50	Cylinder head bolt M16×50
47	316.0919	Veerring 16mm	Spring washer 16mm
48	302.0623	Cilinderkopbout M16×40	Cylinder head bolt M16×40
49	456.0018	Paspen 12M6x47	Dowel 12M6x47
57	900.0116	Beschermtrichter	Protective cover
58	934.0136	Versterkingsring	Reinforcing ring
59	316.0906	Veerring 10mm	Spring ring 10mm
60	301.0805	Bout M10x25	Bolt M10x25
61	961.0264	Slanghouder	Hose reels

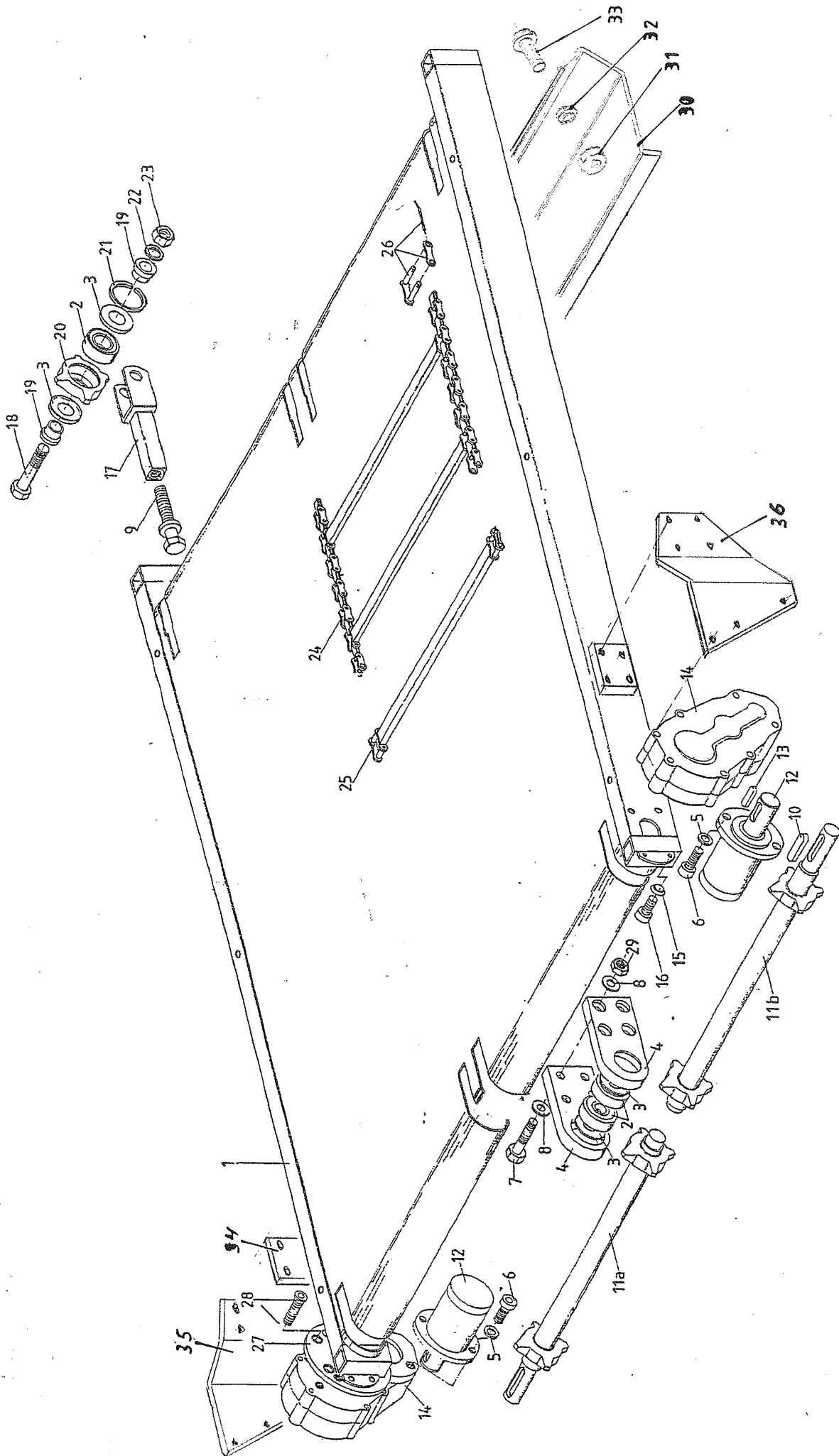


3. FLOOR CHAIN WITH DRIVE RAPIDE 130E

3. Bodemketting met aandrijving Rapide 130E

Drawing no. : 975.0019

<i>Fig.</i>	<i>SR-no.</i>	<i>Omschrijving</i>	<i>Description</i>
2	401.0107	Kogellager 6306-2RS	Ball bearing 6306-2RS
3	361.0119	Nilosring 6306-AV	Nilos ring 6306-AV
4	941.0042	Glandlagerhuis	Gland bearing housing
5	316.0904	Veerring 12 mm	Spring ring 12 mm
6	302.0615	Cilinderkopbout M12×35	Cylinder head bolt M12×35
7	402.0165	Steunlagerblok 50	Suspension bearing block 50
8	966.0001	Steunlagerhuis	Suspension bearing housing
9	303.0958	Spanbout M16	Tensioning bolt M16
10	315.0121	Spie 14×9×80	Feather key 14×9×80
11	968.0361	Transportkettingas	Transport chain pinion axle
12	355.0510	Hydromotor OMP-125	Hydro Motor OMP-125
13	315.0103	Spie 8×7×30	Feather key 8×7×30
14	351.0024	Zijkast Ø45	Side box Ø45
15	316.0917	Bolle veerring C12,5	Spring ring C12,5
16	302.0630	Cilinderkopbout M12×25	Cylinder head bolt M12×25
17	967.0581	Kettingspanner	Chain tensioner
18	301.0745	Bout M16×70	Bolt M16×70
19	925.0481	Klembus	Clamping bush
20	942.0029	Kettingspanwiel	Chain sprocket
21	313.0401	Seegersprengring SB72	Seeger circlip-SB72
22	316.0901	Veerring 16 mm	Spring ring 16 mm
23	306.0702	Moer M16	Nut M16
24	967.0032	Bodemketting	Floor chain
25	966.0069	Kettingstaaf 22/2	Chain rod 22/2
26	431.0122	Verbindingsschalm	Joining link
27	913.1240	Tussenplaat	Plate
28	937.1139	Steunplaat Li.	Supporting plate Li.

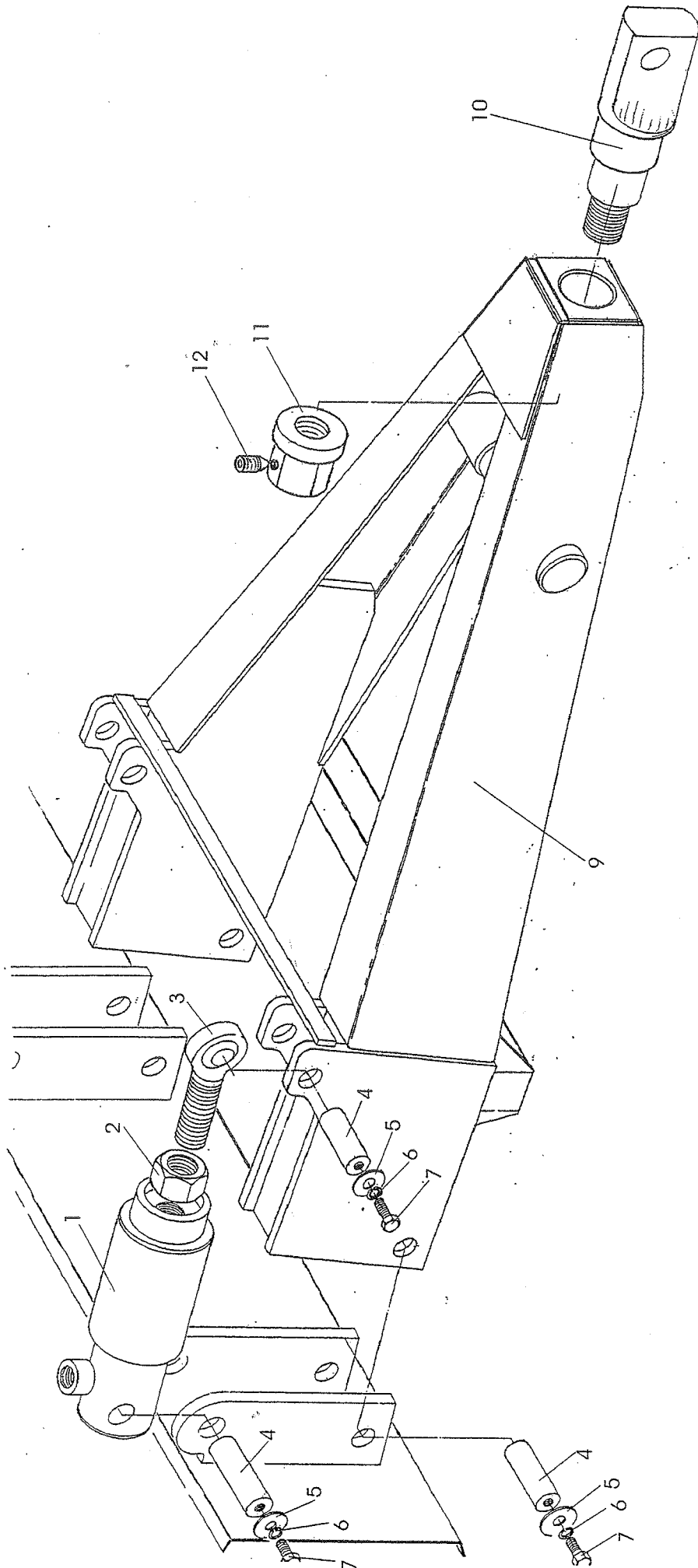


4. FLOOR CHAIN WITH DOUBLE DRIVE

4. BODEMKETTING MET DUBBELE AANDRIJVING

Drawing no. : 975.0020

<i>Fig.</i>	<i>SR-no.</i>	<i>Omschrijving</i>	<i>Description</i>
2	401.0107	Kogellager 6306 - 2RS	Ball bearing 6306 - 2RS
3	361.0119	Nilosring 6306 - AV	Nilos ring 6306-AV
4	377.0303	Lagerplaat	Bearing plate
5	316.0904	Veerring 12 mm	Spring washer 12 mm
6	302.0615	Cilinderkopbout M12×35	Cylinder head bolt M12×35
7	302.0643	Cilinderkopbout M12×55	Cylinder head bolt M12×55
8	316.0702	Sluistring A13	Washer A13
9	303.0973	Spanbout M20	Tension bolt M20
10	315.0121	Spie 14×9×80	Feather key 14×9×80
11a	960.0678	Transportkettingas Li. Rapide 165	Transport chain axle left Rapide 165
	969.0974	Transportkettingas Li. Rapide 205	Transport chain axle left Rapide 205
	969.1373	Transportkettingas Li. Rapide 240; 340	Transport chain axle left Rapide 240; 340
11b	960.0679	Transportkettingas Re. Rapide 165	Transport chain axle right Rapide 165
	969.0975	Transportkettingas Re. Rapide 205	Transport chain axle right Rapide 205
	969.1374	Transportkettingas Re. Rapide 240; 340	Transport chain axle right Rapide 240; 340
12	355.0037	Hydromotor OMP-200	Hydro Motor OMP-200
13	315.0103	Spie 8×7×30	Key 8×7×30
14	351.0024	Zijkast Ø45 (zie blz.13)	Side box Ø45 (Page 13)
15	316.0917	Bolle veerring C12,5	Spring washer C12,5
16	302.0630	Cilinderkopbout M12×25	Cylinder head bolt M12×25
17	969.1149	Kettingspanner 4T/M20 Rapide 165	Chain tensioner 4T/M20 Rapide 165
	969.1372	Kettingspanner 5T/M20 Rap. 205; 240; 340	Chain tensioner 5T/M20 Rap. 205; 240;340
18	301.0745	Bout M16×70	Bolt M16×70
19	925.0481	Klembus	Clamping bush
20	942.0029	Kettingspanwiel 4T Rapide 165	Chain sprocket 4T Rapide 165
	258.0029	Kettingspanwiel 5T Rapide 205; 240; 340	Chain sprocket 5T Rapide 205; 240; 340
21	313.0401	Seegersprengring SB72	Seeger circlip SB72
22	316.0901	Veerring 16 mm	Spring washer 16 mm
23	306.0702	Moer M16	Nut M16
24	960.0946	Bodemketting 1000/6,36 Rapide 165	Floor chain 1000/64 Rapide 165
	969.1324	Bodemketting 1000/5,84 Rapide 165	Floor chain 1000/59 Rapide 165
	961.0149	Bodemketting 1000/7,39 Rapide 205	Floor chain 1000/75 Rapide 205
	961.0374	Bodemketting 1000/7,18 Rapide 205	Floor chain 1000/72 Rapide 205
	969.1394	Bodemketting 1100/7,39 Rapide 240	Floor chain 1100/75 Rapide 240
	960.0948	Bodemketting 1100/7,18 Rapide 240	Floor chain 1100/72 Rapide 240
	961.0179	Bodemketting 1100/5,12 Rapide 340	Floor chain 1100/ Rapide 340
	961.0540	Bodemketting 1100/5,43 Rapide 340	Floor chain 1100/ Rapide 340
	25	960.0694	Kettingstaaf 1000 Rapide 165; 205
961.0233		Kettingstaaf 1100 Rapide 240; 340	Chain rod 1100 Rapide 240; 340
26	431.0153	Verbindingsschalm	Joining link
27	933.0978	Bevestigingsschijf	Mounting disc
28	303.0932	Verz. bout M12×25	Bolt M12×25
29	306.0302	Borgmoer M12	Locking nut M12
30	937.1146	Afsluitplaat Rapide 165; 205	Closing plate Rapide 165; 205
	937.1147	Afsluitplaat Rapide 240; 340	Closing plate Rapide 240; 340
31	306.0306	Borgmoer M10	Locking nut M10
32	316.0705	Sluistring A10,5	Washer A10,5
33	303.0728	Slotbout M10x25	Bolt M10x25
34	913.1240	Tussenplaat	Plate
35	937.1139	Steunplaat Li.	Supporting plate Li.
36	937.1140	Steunplaat Re.	Supporting plate Re.

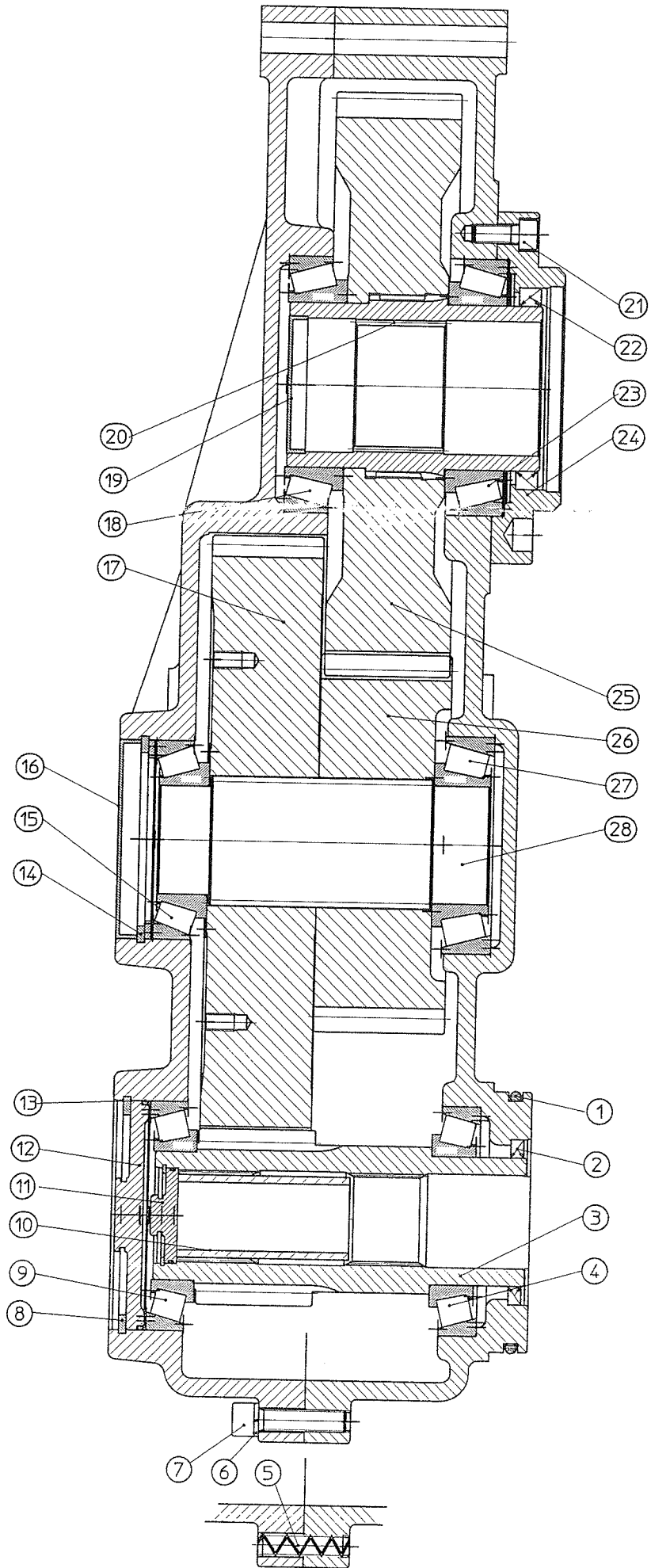


5. Towbar

5. TREKKOP

Drawing no. 975.0034

<i>Fig.</i>	<i>SR-no.</i>	<i>Omschrijving</i>	<i>Description</i>
1	355.0773	Hydraulische cilinder	Hydr. Cylinder
1a	454.0808	Set afdichtingen	Set of seals
2	306.0716	Moer M39×3	Nut M39×3
3	401.0222	Stangkop GAR-40	Rod end GAR-40
4	920.0753	Scharnierpen-30	Pivoting pin-30
5	937.1740	Sluitring 11/41-6	Washer 11/41-6
6	316.0906	Veerring 10 mm	Spring washer 10 mm
7	301.0805	Bout M10×25	Bolt M10×25
8	921.0077	Scharnieras-40	Hinge pin-40
9	961.0212	Trekkop-E	Tow bar-E
	969.2113	Trekkop voor weeg-unit	Tow bar for weigh-unit
10	921.0330	Draaibaar trekoog	Revolving drawing eye
	921.0646	Draaibaar trekoog voor weeg-unit	Revolving drawing eye for weigh-unit
	921.0655	Bus voor trekoog weeg-unit	Bush for drawing eye weigh-unit
	352.0045	Weegstaaf CELL-2.5 DB	Load-cell CELL-2.5 DB
11	900.0344	Moer M60x2-R	Nut M60x2-R
11a	936.0979	Ring 61	Ring 61
12	304.0107	Stelschroef M10x12	Set screw M12x12

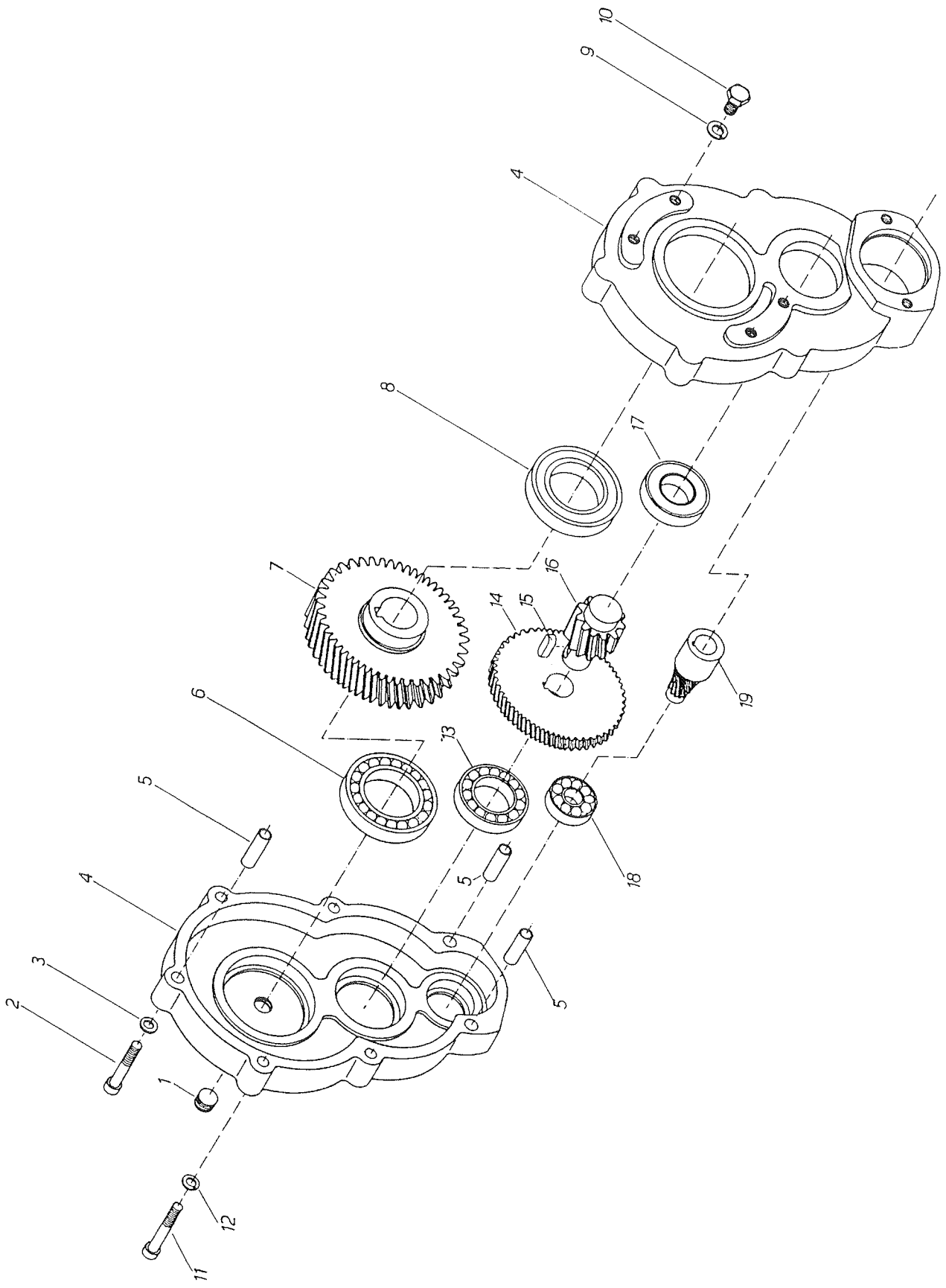


6. ROTOR GEARBOX-RL

6. ROTOR TANDWIELKAST-RL

Artikle no. : 351.0082

<i>Fig.</i>	<i>SR-no.</i>	<i>Omschrijving</i>	<i>Description</i>
-	351.0082	Rotortandwielkast A72-RL	Rotor gearbox A72-RL
1	365.0019	O-Ring 130x6	O-Ring 130x6
2	361.0138	Oliekeerring 70x90x7	Oil catcher 70x90x7
3	456.1001	Rondselas	Pinion
4	401.0197	Kegellager 30214	Cone bearing 30214
5	312.0125	Spanstift 12x50	Clamping sleeve 12x50
6	316.0904	Veerring 12mm	Spring washer 12mm
7	302.0641	Cilinderkopbout M12x50	Cylinder head bolt M12x50
8	313.0218	Binnenborgring I-125	Locking ring I-125
9	401.0197	Kegellager 30214	Cone bearing 30214
10	456.1008	Afstandbus	Buch
11	456.1007	Deksel	Cover
12	456.1006	Dichtschijf	Disc
13	365.0018	O-Ring 120x3	O-Ring 120x3
14	313.0216	Binnenborgring I-110	Locking ring I-110
15	401.0145	Kegellager 32212	Cone bearing 32212
16	349.0098	Deksel 110x12	Cover 110x12
17	456.1002	Tandwiel	Gear wheel
18	401.0197	Kegellager 30214	Cone bearing 30214
19	349.0092	Delsel 75x10	Cover 75x10
20	456.1005	Splinesbus A72x66 met tandwiel cpl.	Nave with splines A72x66 with Gear wheel
21	302.0601	Cilinderkopbout M10x25	Cylinder head bolt M10x25
22	361.0144	Oliekeerring 90x110x12	Oil catcher 90x110x12
23	401.0149	Kegellager 32018	Cone bearing 32018
25	456.1005	Tandwiel met naaf A72x66 cpl. (zie 20)	Gear wheel with nave A72x66
26	456.1004	Tandwiel	Gear wheel
27	401.0195	Kegellager 32213	Cone bearing 32213
28	456.1003	Profielas	Shaft with splines

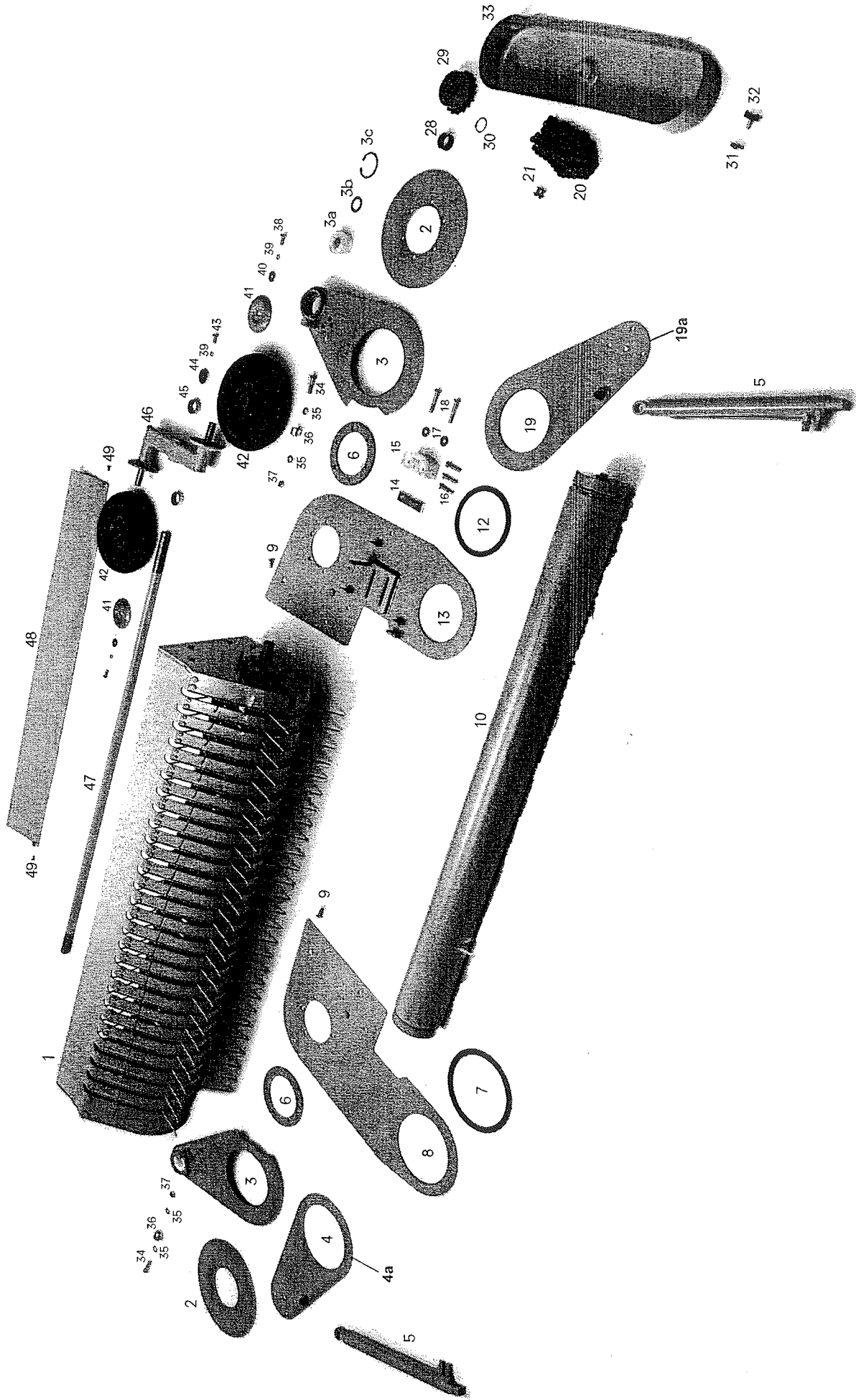


7. FLOOR DRIVING GEAR.

7. BODEM-AANDRIJFKAST

Artikcle no. : 351.0024

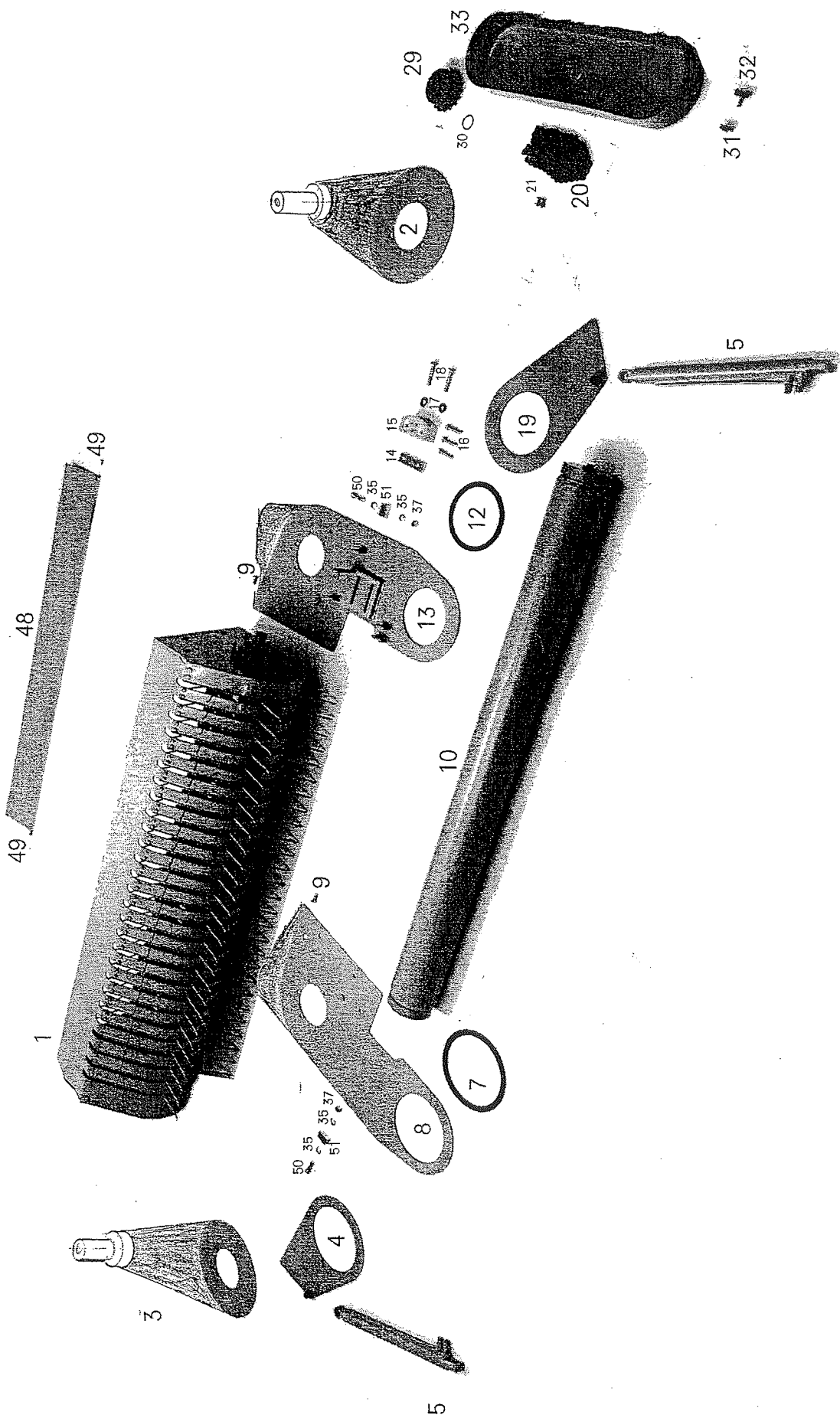
<i>Fig.</i>	<i>SR-no.</i>	<i>Omschrijving</i>	<i>Description</i>
1	381.0111	Draadstop M20×1,5	Screw plug M20×1,5
2	302.0013	Cilinderbout M10×65	Cylinder head bolt M10×65
3	316.0906	Veerring 10 mm	Spring washer 10 mm
4	450.0766	Tandwielkast (2-delig)	Gear case (2-parts)
5	312.0127	Spanhuls 13×50	Clamping sleeve 13×50
6	401.0176	Kogellager 6013	Ball bearing 6013
7	456.0043	Tandwiel met gat Ø45	Gear wheel with hole Ø45
8	401.0177	Kogellager 6013-2RS	Ball bearing 6013-2RS
9	316.0917	Bolle veerring 12,5 mm	Spring washer 12,5 mm
10	301.0807	Bout M12×25	Bolt M12×25
11	302.0613	Cilinderkopbout M10×70	Cylinder head bolt M10×70
12	316.0705	Sluitring A 10,5	Washer A 10,5
13	401.0118	Kogellager 6009	Ball bearing 6009
14	450.0765	Tandwiel (incl. 15 en 16)	Gear wheel (incl. 15 and 16)
15		Inlegspie 8×7×30	Key 8×7×30
16		Tandrondsel	Pinion
17	401.0175	Kogellager 6207-2RS	Ball bearing 6207-2RS
18	451.0031	Kogellager 6304	Ball bearing 6304
19	450.0767	Tandas	Pinion



8. PICK-UP SUSPENSION WITH DRIVE (5-ROWS) RAPIDE 130E

8. PICK-UP OPHANGING MET AANDRIJVING (5-BALKS) RAPIDE 130E

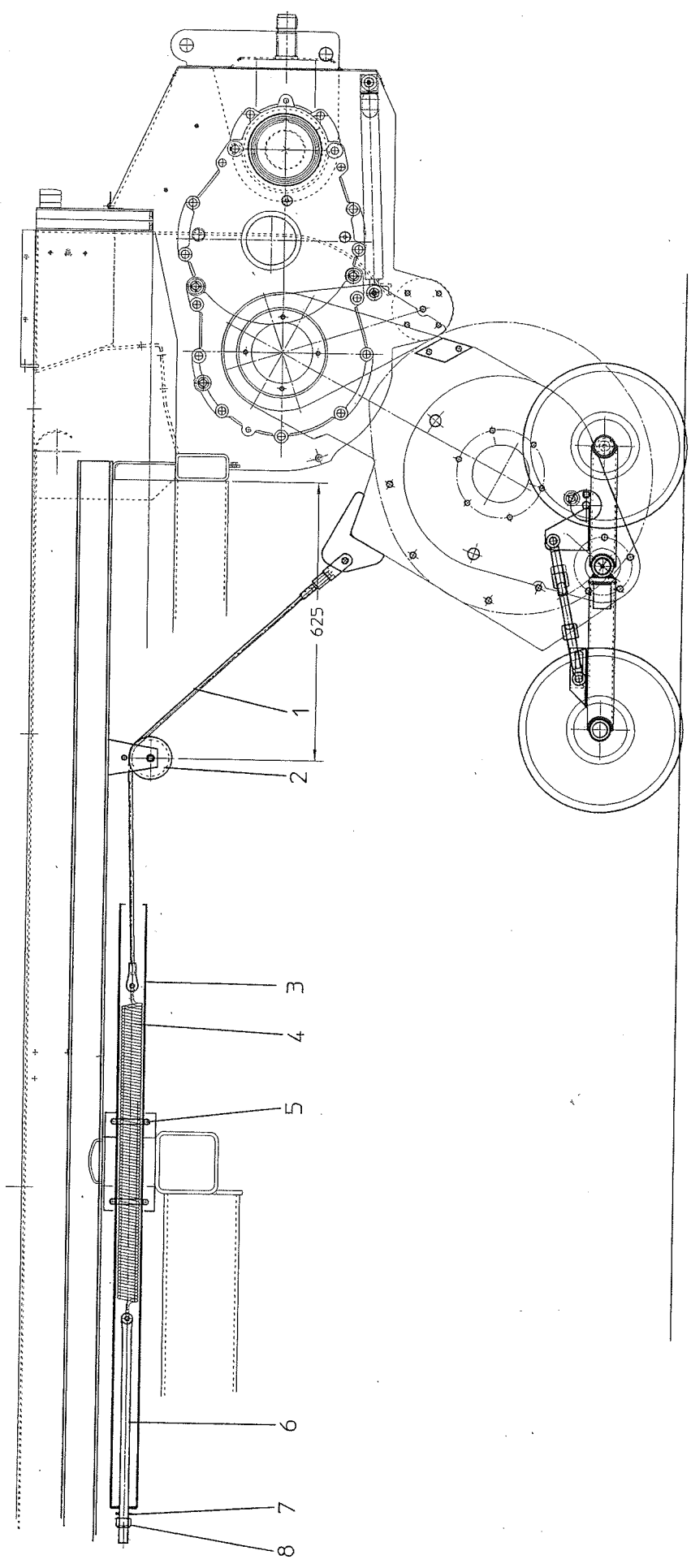
<i>Fig.</i>	<i>SR-no.</i>	<i>Omschrijving</i>	<i>Description</i>
1	433.0108	5-Balks Pick-up compleet	Pick-up, 5 rows complete
2	935.0425	Buitenschijf	Outer disc
3	968.0731	Loopwielplaat	Runner wheel plate
3a	402.0203	Glijlager N3536	Slide bearing N3536
3b	403.0129	Axiaalschijf AS 3552	Axial disc AS 3552
3c	313.0215	Binnenborgring I-68	Locking ring I-68
4	961.0527	Rolplaat rechts	Roller plate right
5	355.0792	Hydraulische cilinder (incl. 5a en b)	Hydr. Cylinder (incl. 5a and b)
5a	402.0128	Glijlager 20/20	Slide bearing 20/20
5b	454.0810	Set afdichtingen t.b.v. 5	Set of seals for 5
6	934.0073	Binnenschijf	Inner disc
7	402.0208	U-glijlager 192	U-slide bearing 192
8	953.0731	Pick-up plaat 60-re.	Pick-up plate 60-right
9	303.0948	Pl. verzonken bout M10×30	Countersunk bolt M10×30
10		Invoerrol (zie blz. 35)	Feed roller (See page 35)
11	900.0132	Flenslager RME 60/192	Flange bearing RME 60/192
12	402.0208	U-Glijlager 192	U-slide bearing 192
13	953.0742	Pick-up plaat 60-li.	Pick-up plate 60-left
14	912.0671	Spanstrip TB-10	Tensioning strip TB-10
14a	302.0935	Spanbout M10×140	Tension bolt M10×140
15	353.0202	Spanblok	Tension block
17	316.0719	Sluitplaat 10,5 mm	Ring 10,5 mm
18	301.0726	Bout M10×60	Bolt M10×60
19	961.0526	Rolplaat links	Roller plate left
20	356.0128	Ketting ¾" - 77	Chain ¾" - 73
21	356.0129	Verbindingsschakel ¾"	Joining link ¾"
22	936.0809	Eindflens 60/8	End flange 60/8
24	953.0673	Kettingwiel ¾" - 26 met breekbout	Chain wheel ¾" - 26 with shearing bolt
24a	900.0211	Breekbout M12×62	Shearing bolt M12×62
25	313.0121	Buitenborgring A-60	Locking ring A-60
28	926.0164	Ring - 27	Ring - 27
29	353.0350	Kettingwiel ¾"-19/35	Chain wheel ¾"-19/35
30	313.0105	Buitenborgring A-35	Locking ring A-35
31	306.0359	Plaatmoer M8 zelfborgend	Self-locking plate nut M8
32	301.0801	Bout M8×16	Bolt M8×16
32a	316.0722	Sluitplaat 8,4 mm	Washer 8,4 mm
33	375.0501	Beschermkap	Protective cover
34	301.0715	Bout M12×45	Bolt M12×45
35	316.0702	Sluitring A13	Washer A13
36	921.0024	Aanslagnok	Stop boss
37	306.0302	Borgmoer M12	Locking nut M12
38	301.0809	Bout M10×20	Bolt M10×20
39	316.0906	Veerring 10 mm	Spring washer 10 mm
40	316.0715	Sluitring R11	Washer R11
41	934.0474	Afdekkapje buiten	Guard, outer
42	432.0790	Wiel 4.00×4-6 Pr.	Wheel 4.00×4-6 Pr.
43	301.0811	Bout M10×30	Bolt M10×30
44	316.0742	Sluitring 50/11-8	Washer 50/11-8
45	402.0141	Glijlager 35/20	Slide bearing 35/20
46	967.0432	Loopwielarm	Runner wheel arm
47	920.0839	Loopwielenas	Runner wheel shaft
48	968.0343	Achterplaat	Back plate
49	303.0902	Pl. verzonken bout M8×20-Torx	Countersunk bolt M8×20-Torx



9. PICK-UP SUSPENSION WITH DRIVE (6-ROWS)

9. PICK-UP OPHANGING MET AANDRIJVING (6-BALKS)

<i>Fig.</i>	<i>SR-no.</i>	<i>Omschrijving</i>	<i>Description</i>
1	433.0118	6-Balks Pick-up compleet Rapide 165; 205	Pick-up, 6 rows, complete Rapide 165; 205
	433.0119	6-Balks Pick-up compleet Rapide 240; 340	Pick-up, 6 rows, complete Rapide 240; 340
2	969.1272	Buitenplaat Li.	Outer plate left
	969.1273	Buitenplaat Re.	Outer plate right
4	969.1328	Pick-up hefplaat Re.	Pick-up lifting plate right
5	355.3006	Hydraulische cilinder (incl. 5a en b)	Hydr. cylinder (incl. 5a and b)
5a	402.0151	Glijlager 20/30	Slide bearing 20/30
5b	454.0812	Set afdichtingen t.b.v. 5	Set of seals for 5
7	402.0208	U-glijlager 192	U-Slide bearing 192
8	953.0756	Pick-up plaat R8/P6 Re. Rapide 165; 205	Pick-up plate R8/P6 right Rapide 165; 205
	953.0745	Pick-up plaat R8/P6 Re. Rapide 240; 340	Pick-up plate R8/P6 right Rapide 240; 340
9	303.0948	Pl. verzonken bout M10×30	Countersunk bolt M10×30
10		Invoerrol Ø140 (zie blz. 35)	Feed roller Ø140 (See page 35)
11	900.0132	Flenslager RME 60/192	Flange bearing RME 50/162
12	402.0208	U-Glijlager 192	U-Slide bearing 192
13	953.0744	Pick-up plaat R8/P6 Li.	Pick-up plate R8/P6 left
14	912.0671	Spanstrip TB-10	Tensioning strip TB-10
14a	302.0935	Spanbout M10×140	Tension bolt M10×140
15	353.0204	Spanblok-65	Tension block-65
17	316.0719	Sluitplaat 10,5 mm	Washer 10,5 mm
18	301.0752	Bout M10×75	Bolt M10×75
19	969.1327	Pick-up hefplaat Li.	Pick-up lifting plate, left
20	356.0192	Ketting 1"-63	Chain 1"-63
21	356.0144	Verloopschakel 1"	Adapter link 1"
	356.0143	Verbindingsschakel 1"	Joining link 1"
22	936.0809	Eindflens 60	End flange 60
24	953.0672	Ketting wiel 1" - 21 met breekbout	Chain wheel 1" - 21 with shearing bolt
24a	900.0311	Breekbout M12×55	Shearing bolt M12×55
25	313.0121	Buitenborgring A-60	Locking ring A-60
29	953.0689	Ketting wiel 1"-18 met vrijloop	Chain wheel 1"-18, with freewheel device
30	921.0279	Eindschijf	End disc
30a	403.0121	Schijf AS-3047	Disc AS-3047
30b	303.0932	Verz. Bout M12×25	Countersunk bolt M12×25
31	306.0359	Plaatmoer M8 zelfborgend	Self-locking nut M8
32	301.0801	Bout M8×16	Bolt M8×16
32a	316.0722	Sluitplaat 8,4 mm	Washer 8,4 mm
33	375.0513	Beschermkap	Protective cover
34	301.0715	Bout M12×45	Bolt M12×45
35	316.0702	Sluitring A13	Washer A13
37	306.0302	Borgmoer M12	Locking nut M12
38	301.0809	Bout M10×20	Bolt M10×20
39	316.0906	Veerring 10 mm	Spring washer 10 mm
40	316.0715	Sluitring R 11	Washer R 11
42	432.0880	Wiel 15x16.00-6-V64 6PR	Wheel 15x16.00-6-V64 6PR
48	969.1129	Achterplaat Rapide 165; 205	Rear plate Rapide 165; 205
	969.1384	Achterplaat Rapide 240; 340	Rear plate Rapide 240; 340
49	303.0902	Pl. verzonken bout M8×20-Totx	Countersunk bolt M8×20-Torx
50	301.0804	Bout M12×35	Bolt M12×35
51	913.0271	Hefblok R8	Lifting block R8
51a	913.1655	Steenstrip R8-Li.	Support strip R8-Li.
51b	913.1656	Steenstrip R8-Re.	Support strip R8-Re.

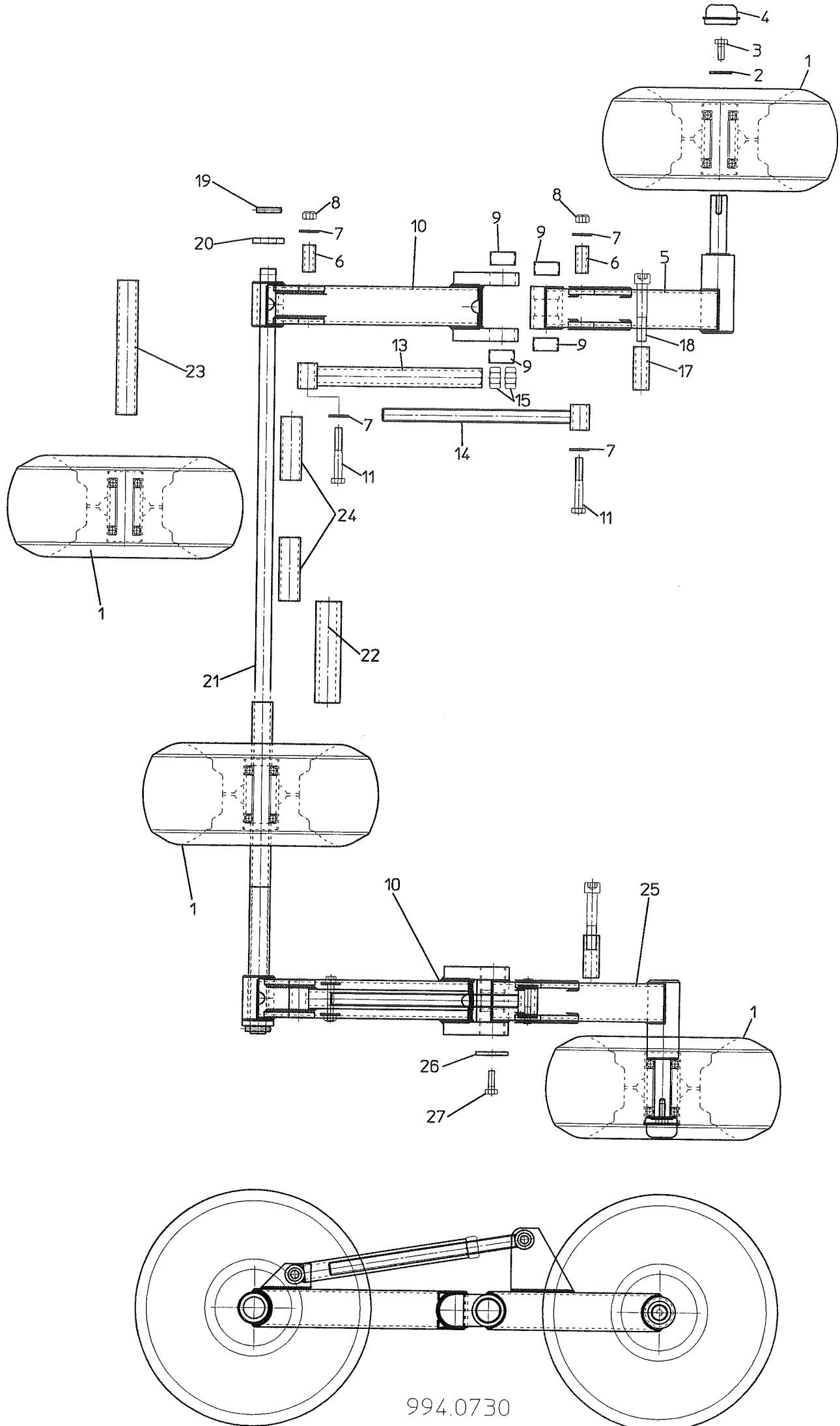


10. PICK-UP (6-ROWS) SPRING SUSPENSION GEAR

10. PICK-UP (6-BALKS) VERENDE OPHANGING

Drawing no. : 975.0037-2

<i>Fig.</i>	<i>SR-no.</i>	<i>Omschrijving</i>	<i>Description</i>
1	462.0179	Staalkabel Rapide 165	Steel cable Rapide165
	462.0192	Staalkabel Rapide 205; 240; 340	Steel cable Rapide 205; 240; 340
2	281.0034	Kabelrol	Cable roller
2a	925.0712	Busje L=40.	Tube L=40
2b	301.0725	Bout M10x65	Bolt M10x65
2c	316.0705	Sluistring A10,5	Washer A10,5
2d	306.0306	Borgmoer M10	Locking nut M10
3	969.1839	Veerbuis-KB	Springtube-KB
4	331.0116	Trekveer	Draw spring
5	349.0115	Pijpklembeugel 76/M12	Clamp 76/M12
5a	306.0302	Borgmoer M12	Locking nut M12
5b	316.0702	Sluistring A13	Washer A13
6	969.0998	Veerspanstang	Spring stretcher
7	316.0725	Sluistring A21	Washer A21
8	306.0706	Moer M20	Nut M20

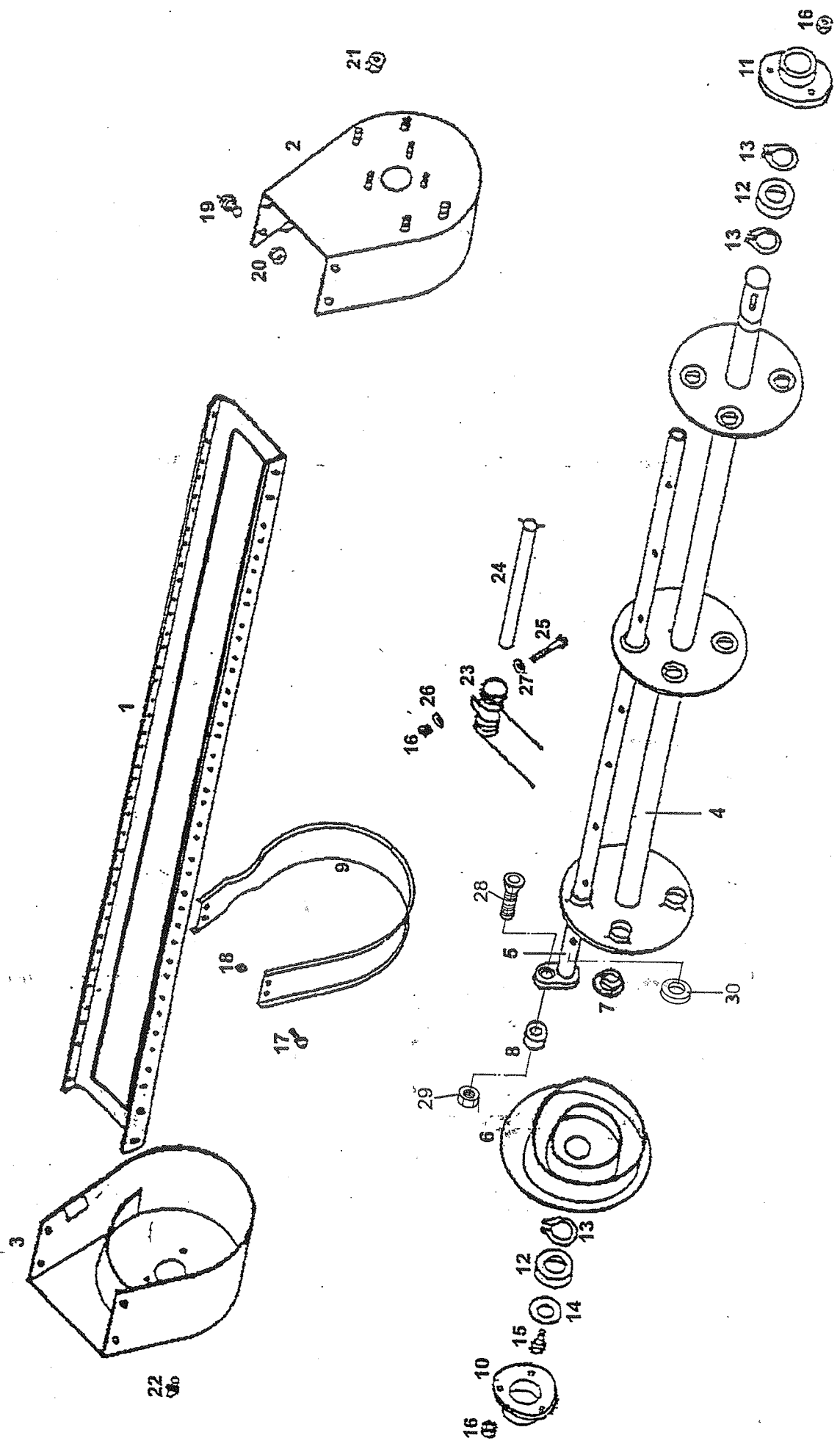


11. DOUBLE RUNNER WHEEL

11. TANDEM LOOPWIELSTEL

Drawing no. : 994.0729

<i>Fig.</i>	<i>SR-no.</i>	<i>Omschrijving</i>	<i>Description</i>
1	432.0880	Wiel 15x16.00-6-V64 6PR	Wheel 16x16.00-6-V64 6PR
1a	432.0338	Velg 4.50x6	Rim 4.50x6
1b	401.0143	Kogellager 6205-2RS	Bal bearing 6205-2RS
1c	432.0145	Buitenband 15x6.00-6 V64 6PR	Tyre 15x16.00-6 V64 6PR
1d	432.0146	Binnenband 15x6.00	Inner tub 15x6.00
2	316.0715	Sluitring R11	Washer R11
3	301.0809	Bout M10x20	Bolt M10x20
4	349.0060	Naafdop 52/26	Hub cap 52/26
5	969.2389	Loopwielarm LV	Runner arm LV
6	926.0913	Buisje L42	Bush L42
7	316.0701	Sluitplaat A13	Washer A13
8	306.0302	Borgmoer M12	Locking nut M12
9	402.0141	Glijlager 35/20	Slide bearing 35/20
10	969.2390	Loopwielarm A	Runner arm A
11	301.0785	Bout M12x80	Bolt M12x80
13	969.2395	Stelbuis	Adjusting bush
14	953.0719	Stelstang M20	Adjusting screw M20
15	306.0706	Moer M20	Nut M20
17	926.0854	Buisje L67	Bush L67
18	302.0657	Cil.bout M16x90	Cyl.head bolt M16x90
19	312.0104	Spanstift 8x40	Clamping sleeve 8x40
20	900.0330	Ring	Disc
21	921.0278	Loopwielenas Rapide 165; 205	Runner shaft Rapide 165; 205
	921.0573	Loopwielenas Rapide 240; 340	Runner shaft Rapide 240; 340
22	926.0409	Buis L1050 Rapide 165; 205	Bush L1050 Rapide 165; 205
	926.0491	Buis L1215 Rapide 240; 340	Bush L1215 Rapide 240; 340
23	926.0403	Buis L208	Bush L208
24	926.0402	Buis L100	Bush L100
25	969.2391	Loopwielarm RV	Runner arm RV
26	316.0742	Sluitring 50x11-8	Washer 50x11-8
27	301.0811	Bout M10x30	Bolt M10x30

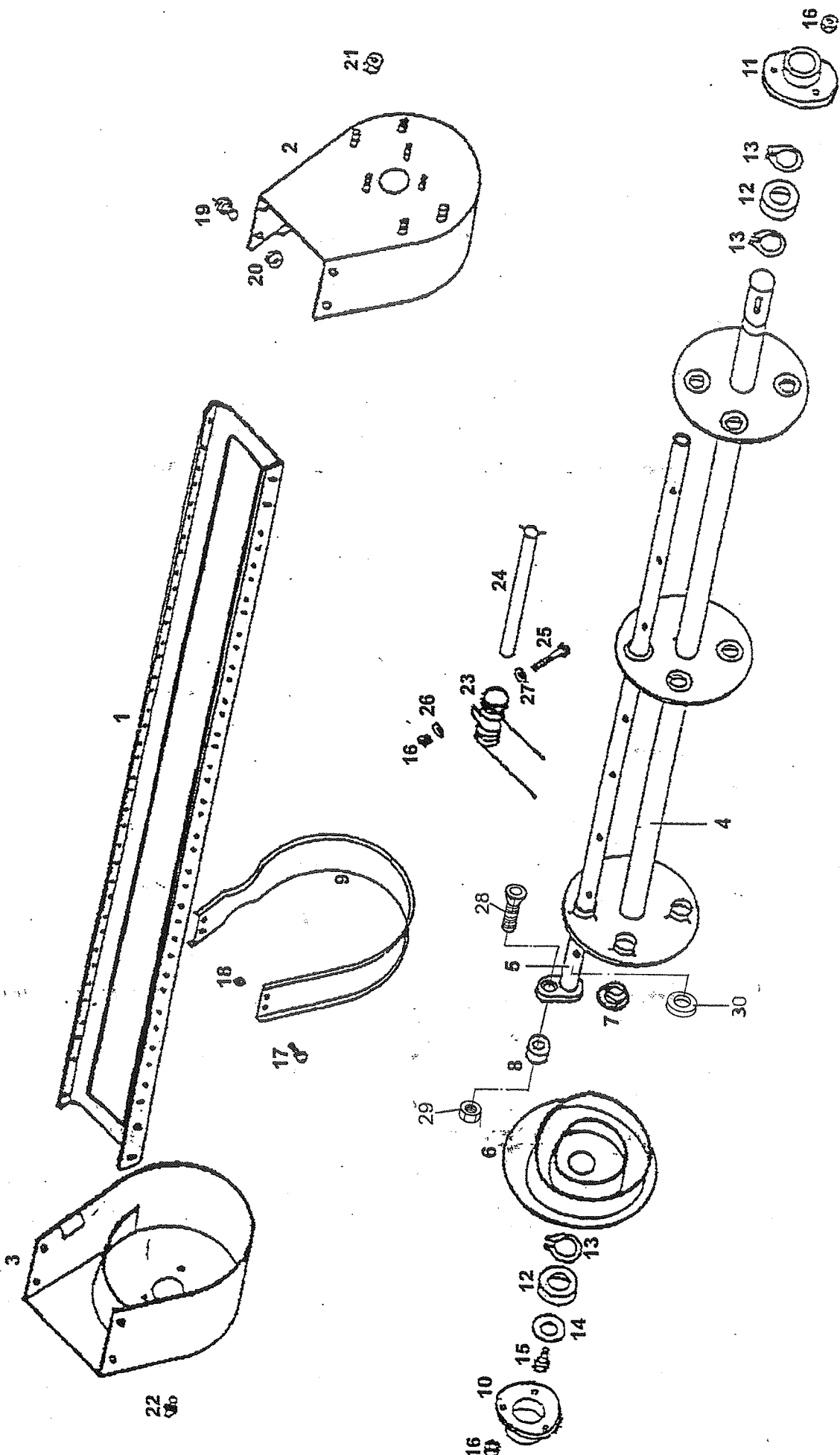


12. 5-ROWS PICK-UP RAPIDE 130E

12. 5-BALKS PICK-UP RAPIDE 130E

Article no. complete pick-up: 433.0108

<i>Fig.</i>	<i>SR-no.</i>	<i>Omschrijving</i>	<i>Description</i>
1	-	Frame	Frame
2	458.0045	Eindkap links	End cover left
3	458.0046	Eindkap rechts	End cover right
4	458.0047	Aandrijfas	Drive shaft
5	458.0048	Veeras	Spring shaft
6	458.0049	Curve-plaat	Curve plate
7	450.0938	Nylonbus	Nylon sleeve
8	401.0216	Looprol LR-5201	Roller bearing LR-5201
9	458.0050	Geleidebeugel	Guide bracket
10	458.0054	Lagerhuis blind	Bearing housing
11	458.0055	Lagerhuis met gat	Bearing housing (with hole)
12	401.0175	Kogellager 6207-2RS	Ball bearing 6207-2RS
13	313.0105	Buitenborgring A35	Locking ring A35
14	934.0236	Ring Ø10/40×3	Ring Ø10/40×3
15	301.0801	Bout M8×16	Bolt M8×16
16	306.0380	Borgmoer M8.10	Locking nut M8.10
17	301.0820	Bout M6×16	Bolt M6×16
18	306.0707	Moer M6	Nut M6
19	301.0809	Bout M10×20	Bolt M10×20
20	306.0701	Moer M10	Nut M10
21	306.0704	Moer M12	Nut M12
22	342.0103	Smeernippel M10×1-180	Grease nipple M10×1-180
23	458.0053	Pick-up tand	Pick-up tine
24	458.0051	Tandveerbuis	Tine spring tube
25	301.0136	Bout M8×50 12.9	Bolt M8×50 12.9
26	316.0713	Sluitring R9	Washer R9
27	458.0052	Klemstukje	Clamping piece
28	303.0930	Verz. Bout M12×40	Countersunk bolt M12×40
29	458.0068	Moer M12	Nut M12

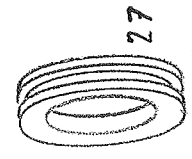
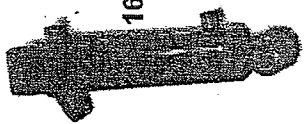
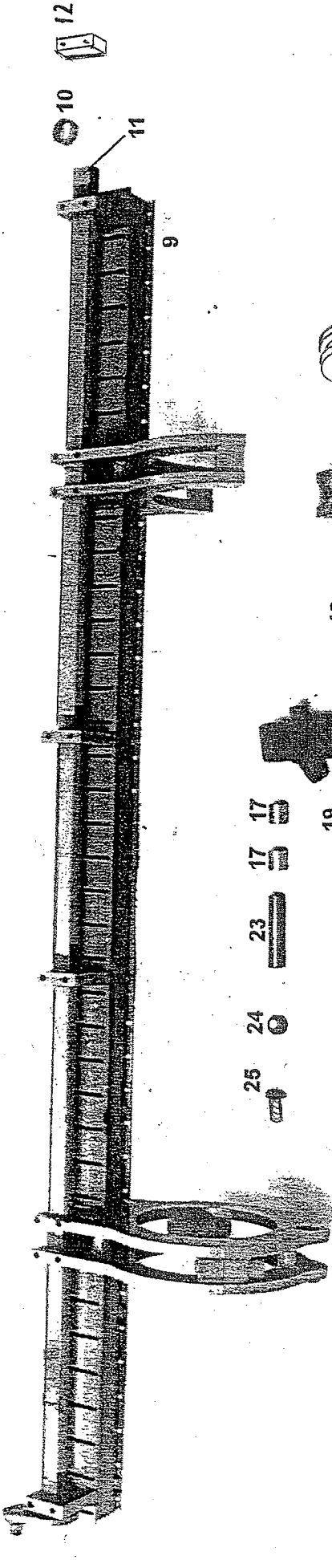
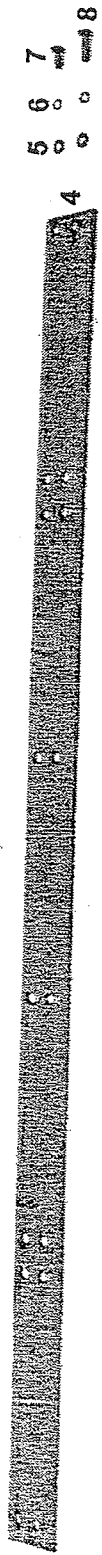


13. 6-ROWS PICK-UP

13. 6-BALKS PICK-UP

Article no. complete pick-up: 433.0118 and 433.0119

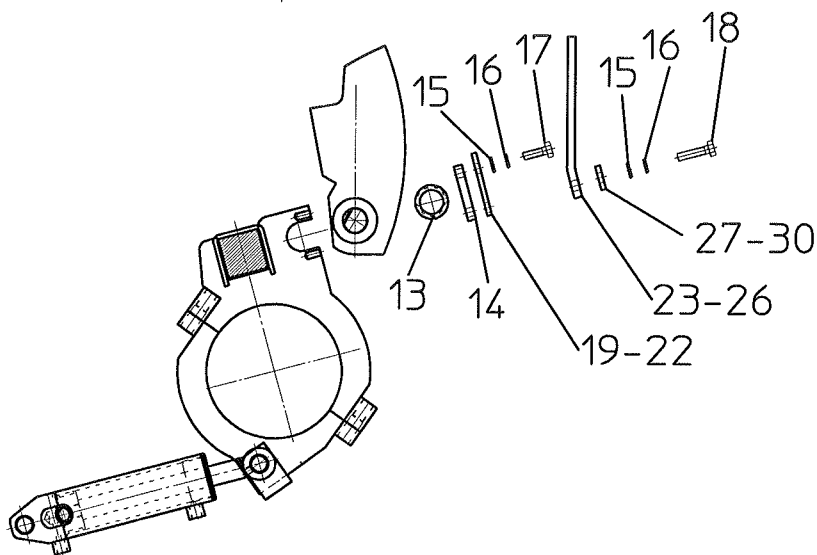
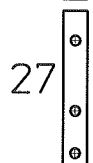
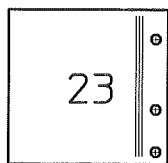
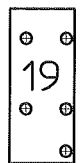
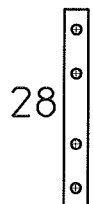
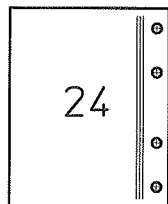
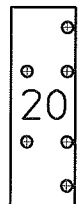
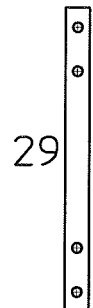
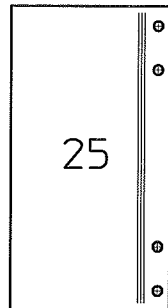
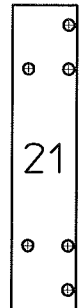
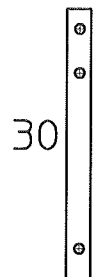
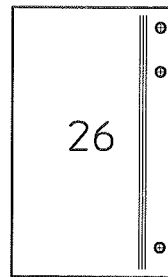
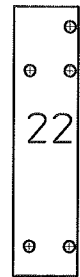
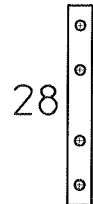
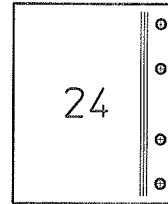
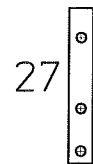
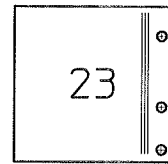
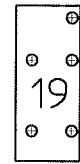
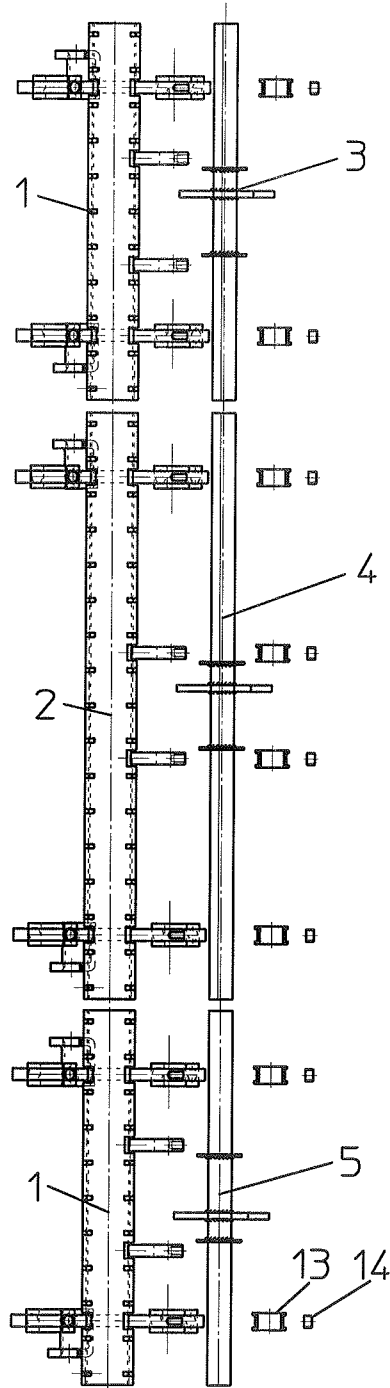
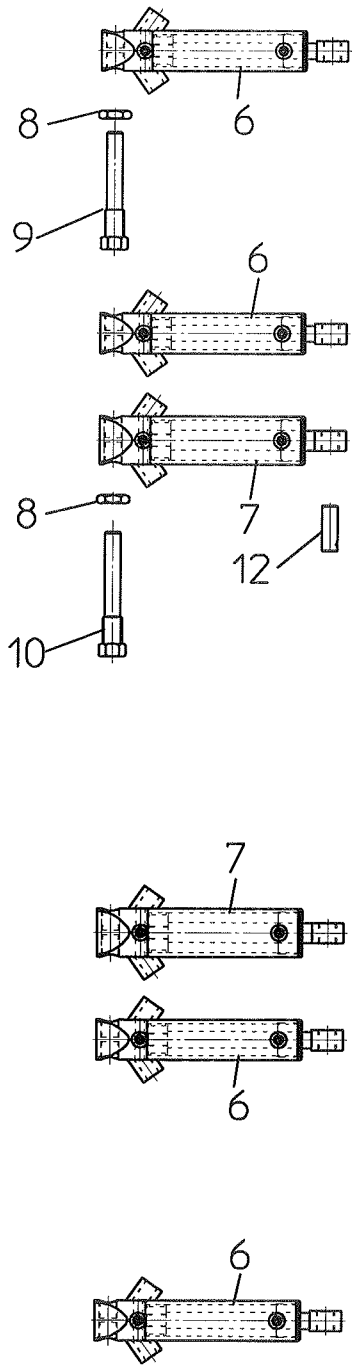
<i>Fig.</i>	<i>SR-no.</i>	<i>Omschrijving</i>	<i>Description</i>
-	433.0118	Pick-up 6-balks Rapide 165; 205	Pick-up 6-rows Rapide 165; 205
-	433.0119	Pick-up 6-balks Rapide 240; 340	Pick-up 6-rows Rapide 240; 340
2	458.0067	Eindkap links	End cover left
3	458.0057	Eindkap rechts	End cover right
4	458.0069	Aandrijfas 1.3/4-6 Rapide 165; 205	Drive shaft 1.3/4-6 Rapide 165; 205
	458.0076	Aandrijfas 1.3/4-6 Rapide 240; 340	Drive shaft 1/3/4-6 Rapide 240; 340
5	458.0069	Veeras Rapide 165; 205	Spring shaft Rapide 165; 205
	458.0077	Veeras Rapide 240; 340	Spring shaft Rapide 240; 340
6	458.0062	Curve-plaat	Curve plate
7	450.0938	Nylonbus	Nylon bush
8	401.0216	Looprol LR-6201	Roller bearing LR-6201
9	458.0063	Geleidebeugel	Guide bracket
10	458.0064	Lagerhuis	Bearing housing
11	458.0064	Lagerhuis	Bearing housing
12	401.0208	Kogellager 6209-2RS	Ball bearing 6209-2RS
13	313.0111	Buitenborgring A45	Locking ring A45
14	934.0236	Ring Ø10/40×3	Ring Ø10/40×3
15	301.0801	Bout M8×16	Bolt M8×16
16	306.0380	Borgmoer M8.10	Locking nut M8.10
17	301.0820	Bout M6×16	Bolt M6×16
18	306.0707	Moer M6	Nut M6
19	301.0809	Bout M10×20	Bolt M10×20
20	306.0701	Moer M10	Nut M10
21	306.0704	Moer M12	Nut M12
22	342.0103	Smeernippel M10×1-180	Grease nipple M10×1-180
23	458.0072	Pick-up tand	Pick-up tine
24	458.0051	Tandveerbuis	Tine spring tube
25	301.0136	Bout M8×50-12.9	Bolt M8×50-12.9
26	316.0713	Sluitring R9	Washer R9
27	458.0052	Klemstukje	Clamping piece
28	303.0930	Verz.bout M12×40	Countersunk bolt M12×40
29	458.0068	Moer M12	Nut M12



14. CHOPPING DEVICE DBA

14. SNIJ-INRICHTING DBA

<i>Fig.</i>	<i>SR-no.</i>	<i>Omschrijving</i>	<i>Description</i>
1	433.0116	Mes	Knife
2	913.1379	Klemstrip-160/54 Rapide 130E	Clampingstrip-160/54 Rapide 130E
	913.1357	Klemstrip-175/54 Rapide 165; 205	Clampingstrip-175/54 Rapide 165; 205
	913.1359	Klemstrip-200/54 Rapide 240; 340	Clampingstrip-200/54 Rapide 240; 340
3	374.0214	Afdichtstrook-175/54 Rapide 130E	Rubber sealing-175/54 Rapide 130E
	374.0212	Afdichtstrook-175/54 Rapide 165; 205	Rubber sealing-175/54 Rapide 165; 205
	374.0213	Afdichtstrook-200/54 Rapide 240; 340	Rubber sealing-200/54 Rapide 240; 340
4	913.1378	Steunstrip-160/54 Rapide 130E	Support strip-160/54 Rapide 130E
	913.1356	Steunstrip-175/54 Rapide 165; 205	Support strip-175/54 Rapide 165; 205
	913.1358	Steunstrip-200/54 Rapide 240; 340	Support strip-200/54 Rapide 240; 340
5	316.0705	Shutring A10,5	Washer A10,5
6	316.0906	Veerring 10 mm	Spring washer 10 mm
7	301.0811	Bout M10x30	Bolt M10x30
8	301.0722	Bout M10x40	Bolt M10x40
9	953.0774	Messenbalk (incl. 10 t/m 14) Rap.130E	Cutter bar (incl. 10 to 14) Rap.130E
	953.0775	Messenbalk (incl. 10 t/m 14) Rap.165; 205	Cutter bar (incl. 10 to 14) Rap.165; 205
	953.0776	Messenbalk (incl. 10 t/m 14) Rap.240; 340	Cutter bar (incl. 10 to 14) Rap.240; 340
10	402.0167	Glijlager 30/36-15	Slide bearing 30/36-15
11	967.0040	Messenborg-as 160/54 Rapide 130E	Knife-locking shaft 160/54 Rapide 130E
	969.1126	Messenborg-as 175/54 Rapide 165; 205	Knife-locking shaft 175/54 Rapide 165; 205
	969.1385	Messenborg-as 200/54 Rapide 240; 340	Knife-locking shaft 200/54 Rapide 240; 340
12	913.1140	Klemblokje	Clamp
13	316.0919	Tandveerring J16,5	Toothed spring ring J16,5
14	302.0622	Cilinder kopbout M16x60	Cylinder head bolt M16x60
15	301.0801	Bout M8x16	Bolt M8x16
16	355.0791	Hydr. cilinder D25-50/138 (incl. 17 en 17a)	Hydr. cylinder D25-50/138 (incl. 17 and 17a)
	454.0813	Set afdichtingen t.b.v. 16	Set of seals for 16
17	402.0129	Glijlager 20/25	Slide bearing 20/25
	402.0128	Glijlager 20/20	Slide bearing 20/20
18	920.0751	Scharnierpen	Pivoting pin
19	364.0015	Dichtring	Sealing ring
20	355.0142	Rechte fitting R.1/2"	Straight fitting R.1/2"
21	953.0716	Hydr. membraanaccu 80bar (incl. 20)	Hydr. accumulator 80bar (incl. 20)
	953.0717	Hydr. membraanaccu 120bar (incl. 20)	Hydr. accumulator 120bar (incl.20)
23	900.0379	Bout M20x155	Bolt M20x155
23a	926.0197	Busje L15	Bush L15
23b	306.0314	Borgmoer M20	Locking nut M20
24	306.0704	Moer M12	Nut M12
25	301.0804	Bout M12x35	Bolt M12x35
26	401.0201	Looprol LR202 NPP	Runner roller LR 202NPP
27	402.0214	Glijlagerring 158/12	Slide bearing 15/12

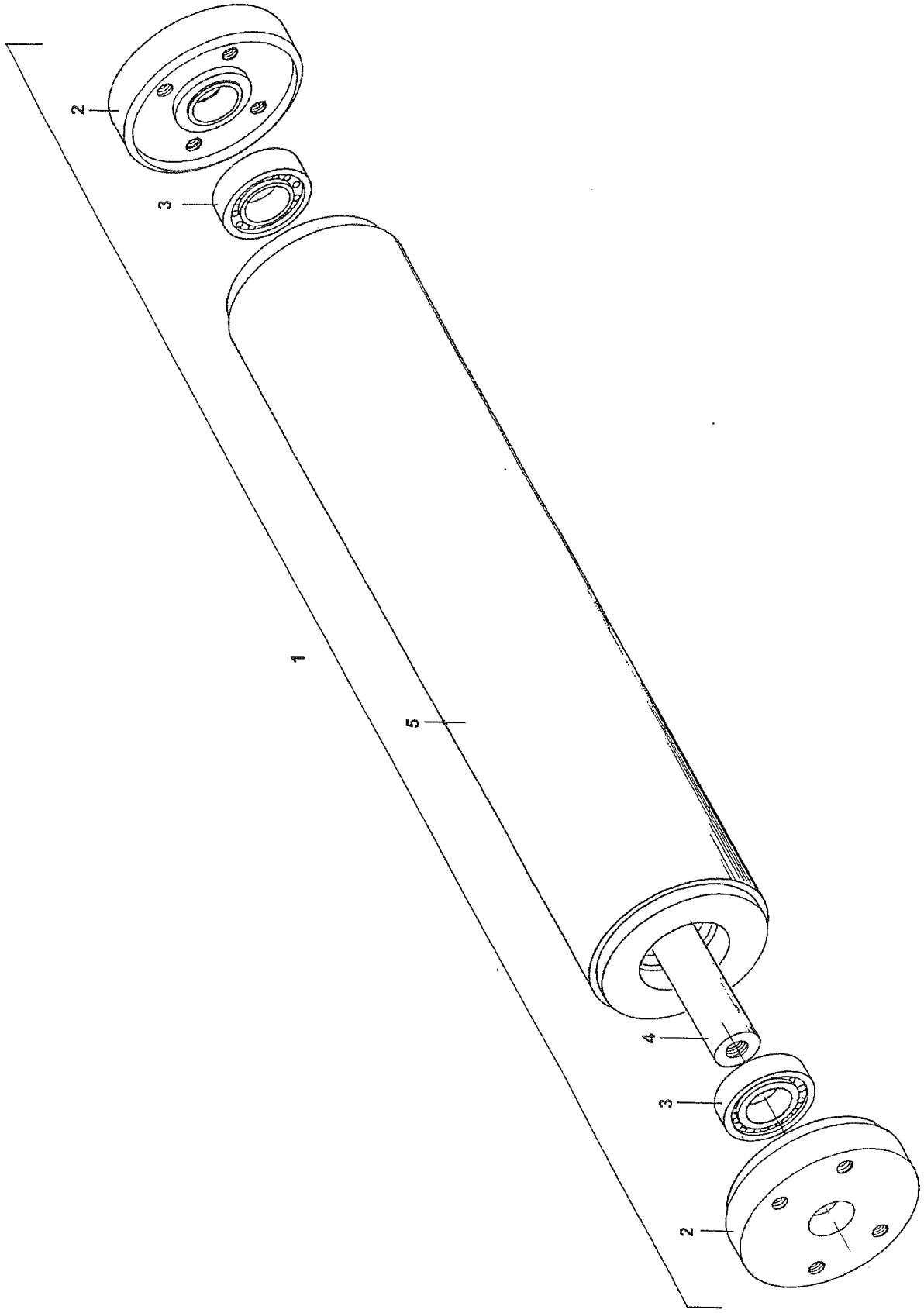


15. CHOPPING DEVICE GMB

15. SNIJ-INRICHTING GMB

Tekeningnummer 975.0042

<i>Fig.</i>	<i>SR-nr.</i>	<i>Omschrijving</i>	<i>Benennung</i>
1	969.2433	Messenbalk GMB-Li./Re. Rapide 165; 205	Cutter bar GMB-Li./Re. Rapide 165; 205
	969.2434	Messenbalk GMB-Li./Re. Rapide 240; 340	Cutter bar GMB-Li./Re. Rapide 240; 340
2	969.2432	Messenbalk GMB-midden	Cutter bar GMB-middle
3	969.2436	Borgas GMB-Li. Rapide 165; 205	Knife-locking shaft GMB-Li. Rap. 165; 205
	969.2438	Borgas GMB-Li. Rapide 240; 340	Knife-locking shaft GMB-Li. Rap. 240; 340
4	969.2435	Borgas GMB-midden	Knife-locking shaft GMB-Middle
5	969.2437	Borgas GMB-Re. Rapide 165; 205	Knife-locking shaft GMB-Re. Rap. 240; 340
	969.2438	Borgas GMB-Re. Rapide 240; 340	Knife-locking shaft GMB-Re. Rap. 240; 340
6	355.0764	Hydr. cilinder D20/40-138	Hydr. Zylinder D20/40-138
7	355.0791	Hydr. cilinder D25/50-138	Hydr. Zylinder D25/50-138
8	306.0352	Lage moer M24x2	Niedrige mutter M24x2
9	969.2499	Scharnierbout M24x2/20-135	Swing bolt M24x2/20-135
10	969.1485	Scharnierbout M24x2/20-145	Swing bolt M24x2/20-145
12	921.0579	Scharnierpen	Pivoting pin
13	402.0167	Lagerbus 30/36-15	Slide bearing 30/36-15
14	913.1140	Klemstrip	Clamp
15	316.0705	Sluitring A10,5	Washer A10,5
16	316.0906	Veerring 10mm	Toothed spring ring 10mm
17	301.0811	Bout M10x30	Bolt M10x30
18	301.0722	Bout M10x40	Bolt M10x40
19	913.1390	Steunstrip-255 Rapide 240; 340	Support strip-255 Rapide 240; 340
20	913.1390	Steunstrip-255	Support strip-255
21	913.1392	Steunstrip-410	Support strip-410
22	913.1391	Steunstrip-366	Support strip-366
23	374.0228	Rubber afdichtstrook-255 Rapide 240; 340	Rubber sealing-255 Rapide 240; 340
24	374.0228	Rubber afdichtstrook-255	Rubber sealing-255
25	374.0230	Rubber afdichtstrook-410	Rubber sealing-255
26	374.0229	Rubber afdichtstrook-366	Rubber sealing-255
27	913.1393	Klemstrip-255 Rapide 240; 340	Clamping strip-255 Rapide240; 340
28	913.1393	Klemstrip-255	Clamping strip-255
29	913.1395	Klemstrip-410	Clamping strip-410
30	913.1394	Klemstrip-366	Clamping strip-366

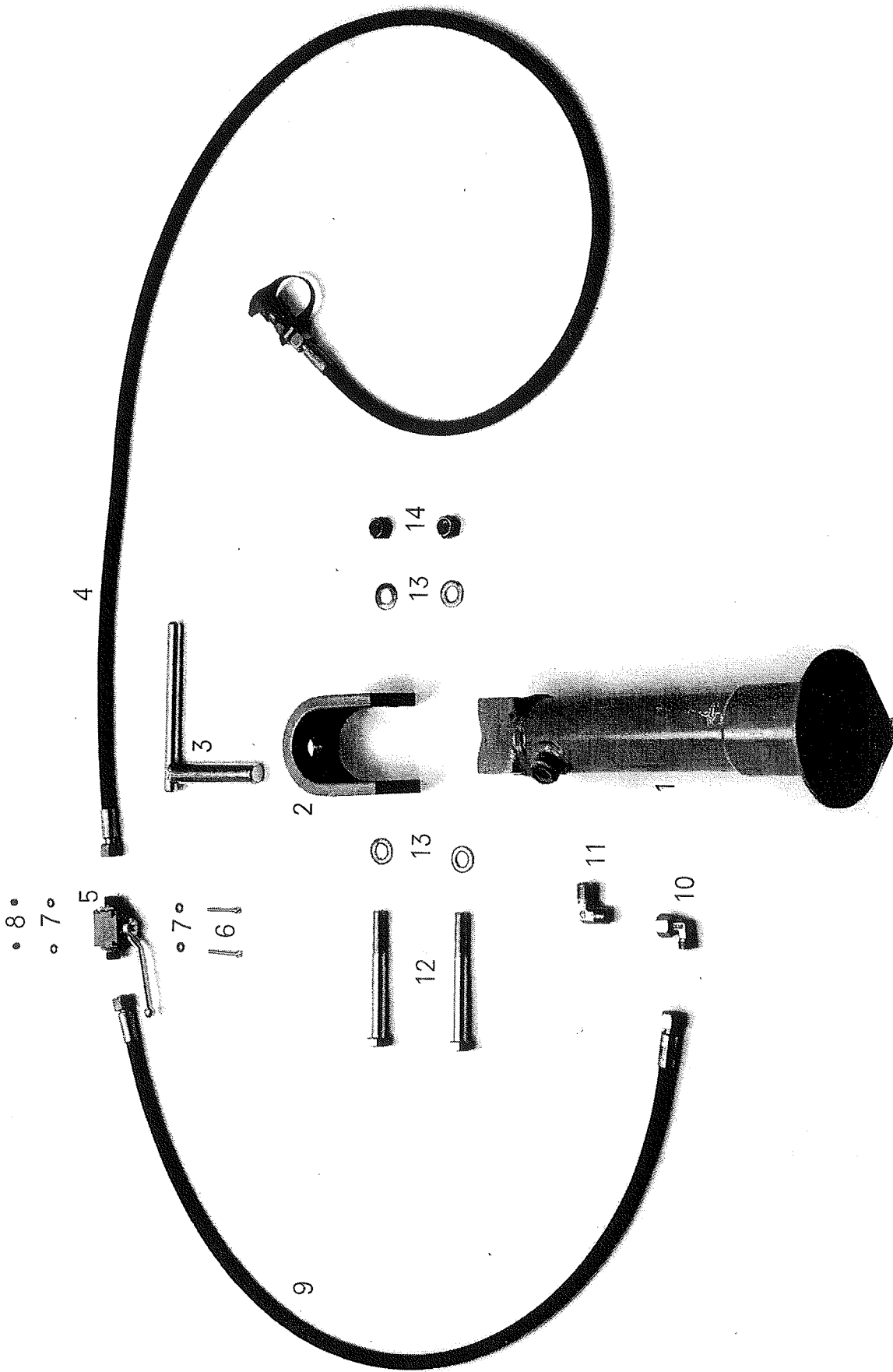


16. FEED ROLLER

16. INVOERROL

Drawing no. 975.0010

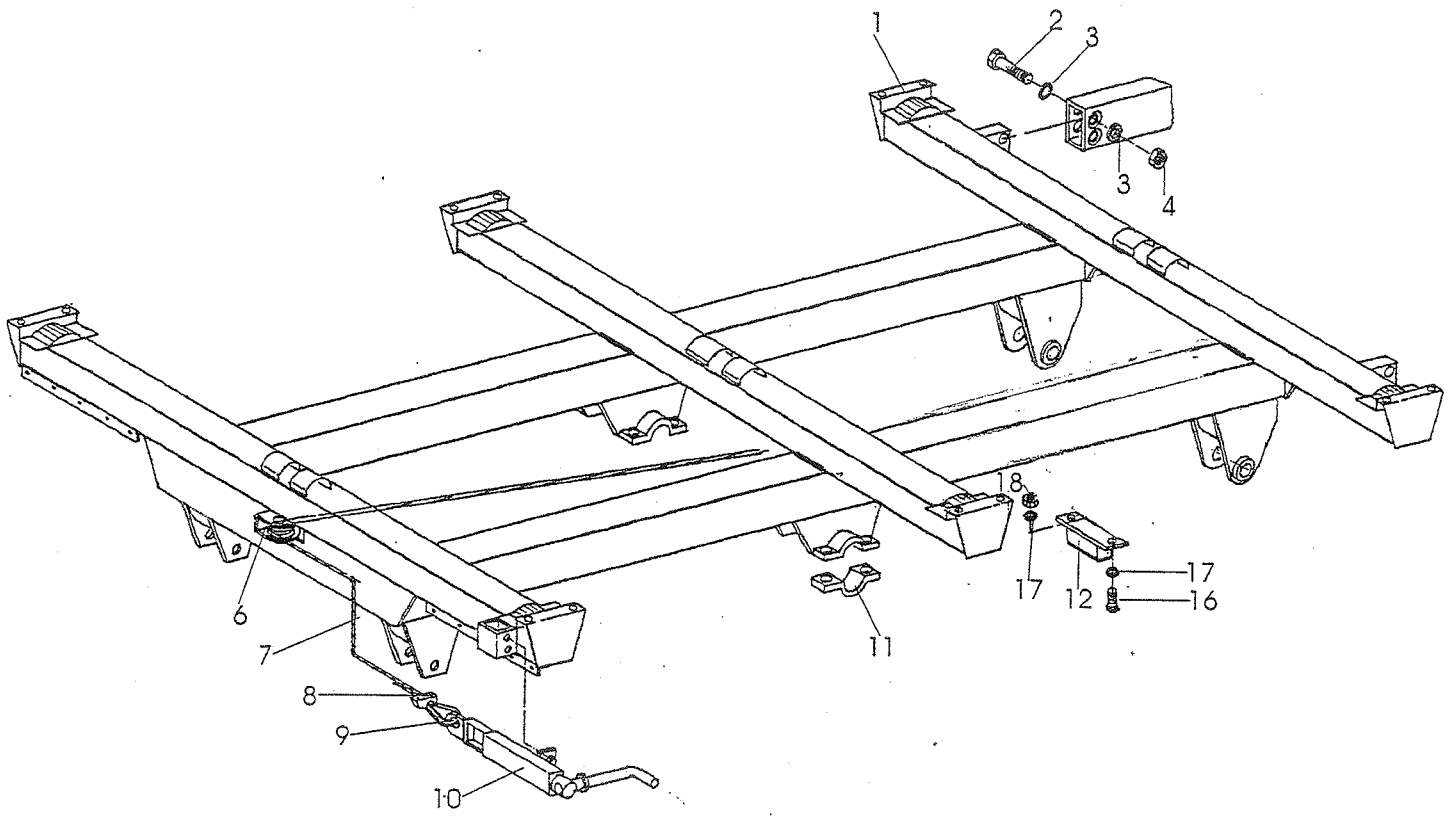
<i>Fig.</i>	<i>SR-no.</i>	<i>Omschrijving</i>	<i>Description</i>
1	953.0503	Invoerrol compleet Rapide 130E	Feed roller complete Rapide 130E
	953.0786	Invoerrol compleet Rapide 165; 205	Feed roller complete Rapide 165; 205
	953.0757	Invoerrol compleet Rapide 240; 340	Feed roller complete Rapide 240; 340
2	920.0799	Eindflens	End flange
3	401.0175	Kogellager 6207-2RS	Ball bearing 6207-2RS
4	920.0801	Rol-as Rapide 130E	Roller shaft Rapide 130E
	921.0523	Rol-as Rapide 165; 205	Roller shaft Rapide 165; 205
	921.0572	Rol-as Rapide 240; 340	Roller shaft Rapide 240; 340
5	967.0338	Invoerrol Rapide 130E	Feed roller Rapide 130E
	969.2425	Invoerrol Rapide 165; 205	Feed roller Rapide 165; 205
	969.2426	Invoerrol Rapide 240; 340	Feed roller Rapide 240; 340



17. HYDRAULIC PARKING SUPPORT

17. HYDRAULISCHE STEUNPOOT

<i>Fig.</i>	<i>SR-no.</i>	<i>Omschrijving</i>	<i>Description</i>
1	967.0781	Steunpootcilinder	Parking support cylinder
1a	454.0059	Set afdichtingen t.b.v. 1	Set of seals for 1
2	911.0784	Scharnierstuk	Hinge piece
3	967.0780	Grendelpen	Locking pin
4	417.0432	Hydr. Slang L2600	Hydr. Hose L2600
5	355.0667	Tweeweg kogelkraan NW10	Two-way ball valve NW10
6	303.0952	Cilinder kopschroef M5×45	Cylinder head bolt M5×45
7	316.0730	Sluitring A5,3	Washer A5,3
8	306.0335	Borgmoer M5	Self-locking nut M5
9	417.0404	Hydr. slang L1200	Hydr. Hose L1200
10	355.0197	Koppeling EEL-12	Coupling EEL-12
11	355.0124	Koppeling CKL-12R1/2	Coupling CKL-12R1/2
12	301.0783	Bout M16×140	Bolt M16×140
13	316.0707	Sluitring A17	Washer A17
14	306.0303	Borgmoer M16	Locking nut M16

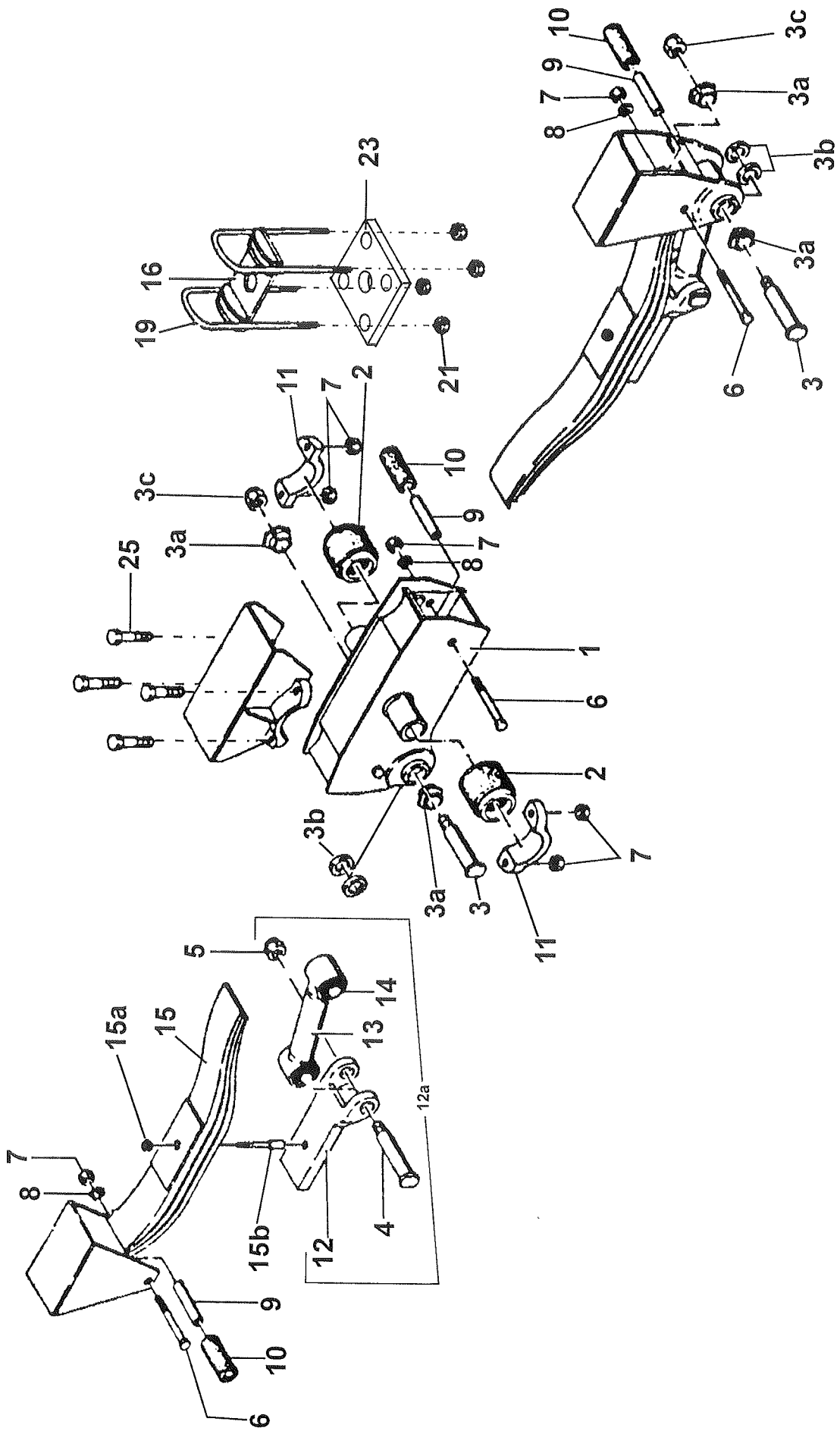


18. TANDEMFRAME SPRING ASSEMBLIE

18. TANDEM FRAME GEVEERD

Drawing no. : 975.0027

<i>Fig.</i>	<i>SR-no.</i>	<i>Omschrijving</i>	<i>Description</i>	
1	961.0580	Tandemframe Rapide 130E	Tandemframe Rapide 130E	
	969.1647	Tandemframe Rapide 165	Tandemframe Rapide 165	
	969.1306	Tandemframe Rapide 205	Tandemframe Rapide 205	
	969.2562	Tandemframe-boven Rapide 205-weegunit	Tandemframe-top Rapide 205-weighunit	
	969.2563	Tandemframe-onder Rapide 205-weegunit	Tandemframe-lower Rapide 205-weighunit	
	352.0046	Weegstaaf CELL- 3.5 DB	Loadcell CELL-3.5 DB	
	969.1307	Tandemframe Rapide 240	Tandemframe Rapide 240	
	969.5275	Tridemframe Rapide 340	Tridemframe Rapide 340	
	2	301.0771	Bout M20×90	Bolt M20×90
		3	316.0311	Conische veerring 20mm
4	306.0706		Moer M20	Nut M20
6	462.0127	Kabelrol	Cable roller	
7	371.0132	Staalkabel	Steel cable	
8	378.0118	Kabelklem	Cable clamp	
9	378.0102	Puntkous	Cable lug	
10	968.0628	Parkeerrem	Parking brake	
11	462.0555	Lagerschaal	Bearing cup	
12	376.0158	Rubber aanslagblok	Bump stop	
16	301.0805	Bout M10x25	Bolt M10x25	
17	316.0705	Sluistring A10,5	Washer A10,5	
18	306.0306	Borgmoer M10	Locking nut M10	



19. GIGANT SPRING ASSEMBLIES

19. GIGANT VEERSTELLEN

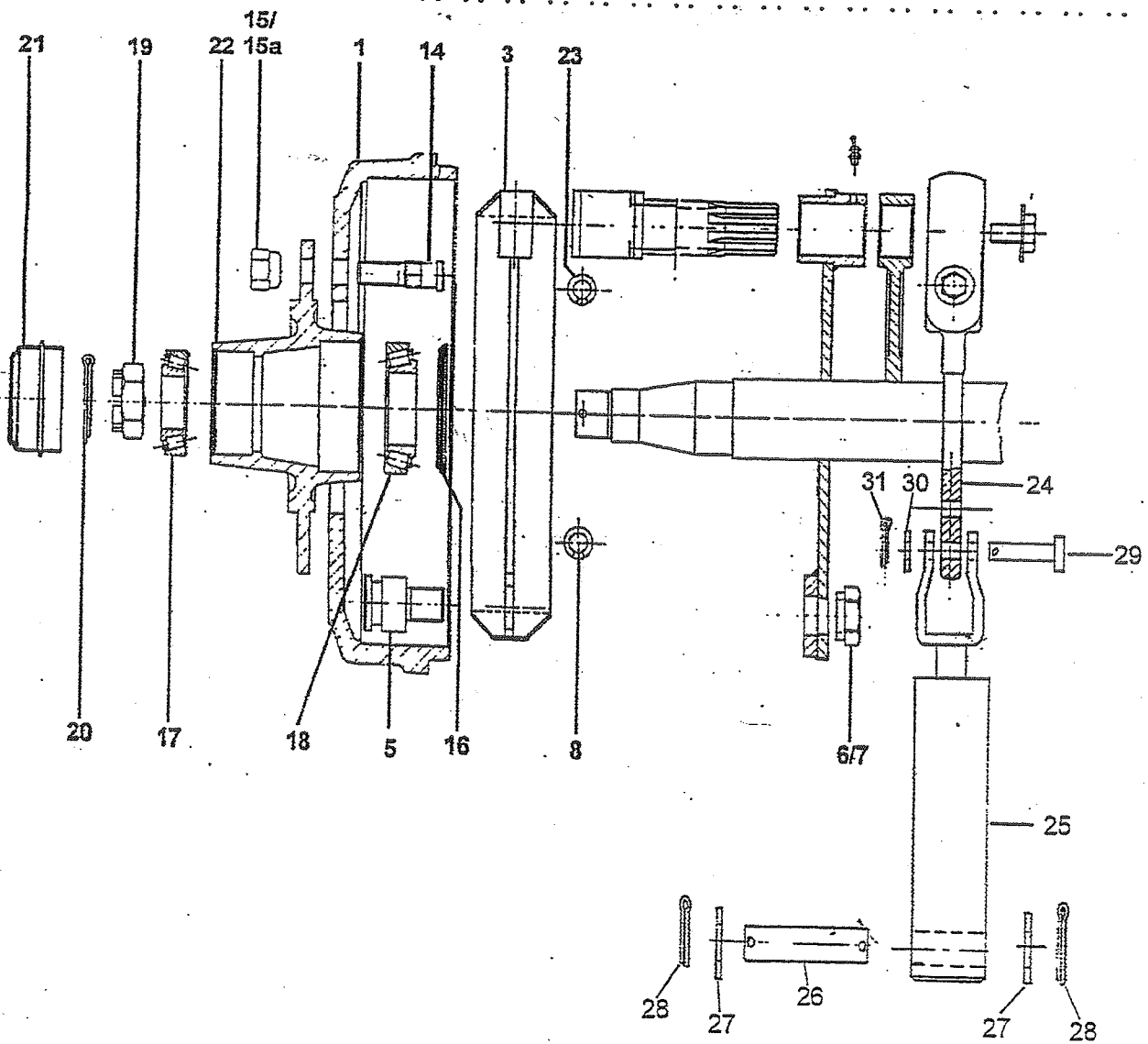
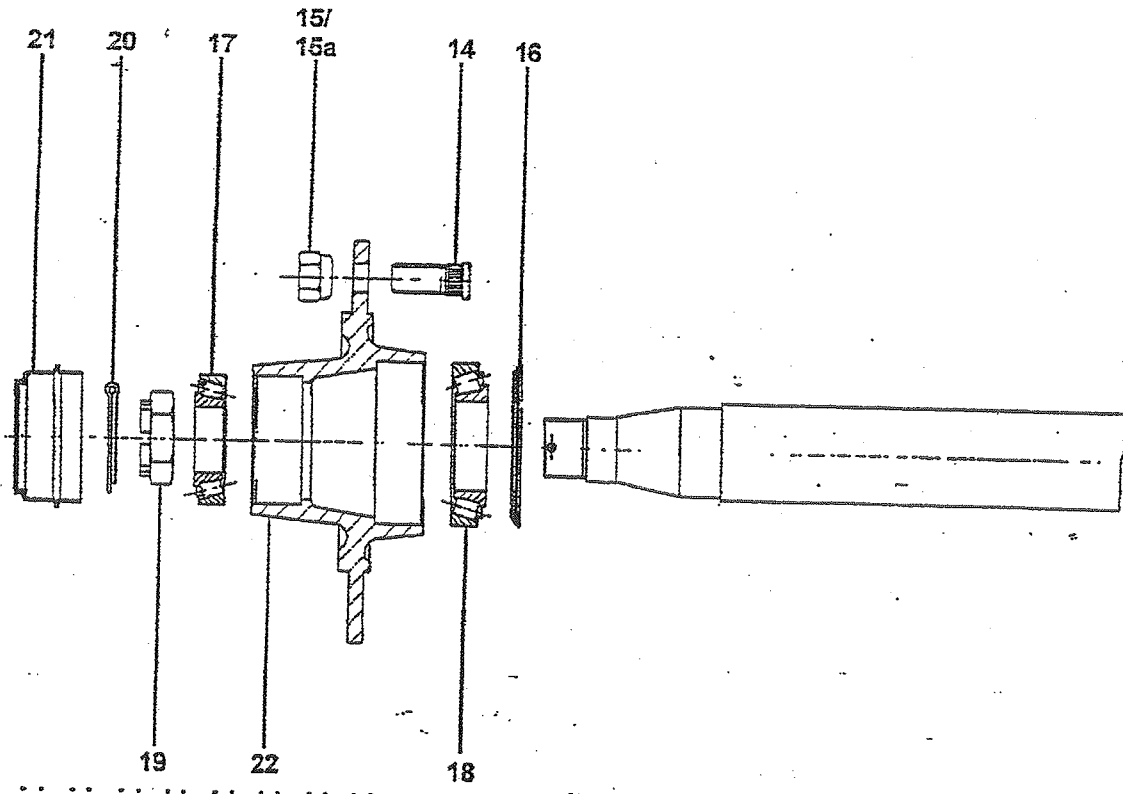
<i>Fig.</i>	<i>SR-no.</i>	<i>Omschrijving</i>	<i>Description</i>
1	462.0513	Pendelstuk Rapide 130E	Oscillating piece Rapide 130E
	462.0517	Pendelstuk Rapide 165; 205; 240; 340	Oscillating piece Rapide 165; 205; 240; 340
2	450.0925	Rubberbus	Rubber bushing
3	462.0538	Excenterbout (incl. 3a, b en c)	Eccentric bolt (incl. 3a, b and c)
4	450.0926	Veerbout M27×1,5 (incl. 5)	Suspension bolt (incl. 5)
5	450.0927	Moer M27×1,5	Nut M27×1,5
6	301.0716	Bout M16×130 Rapide 130E	Bolt M16×130 Rapide 130E
	301.0713	Bout M16×160 Rapide 165; 205; 240; 340	Bolt M16×160 Rapide 165; 205; 240; 340
7	306.0303	Borgmoer M16	Locking nut M16
8	316.0707	Sluistring A17	Washer A17
9	926.0273	Buisje L=96 Rapide 130E	Bush L=96 Rapide 130E
	926.0274	Buisje L=116 Rapide 165; 205; 240; 340	Bush L=116 Rapide 165; 205; 240; 340
10	462.0557	Rubberrol L=100	Rubber roller L=100
11	462.0555	Lagerschaal middenstoel	Bearing cup middle block
12	-	Veertrekplaat	Spring drawing plate
12a	462.0531	Trekveearm 80/244 Rapide 130E	Draw spring arm 80/244 Rapide 130E
	462.0534	Trekveearm 100/453 Rapide 165; 205; 240; 340	Draw spring arm 100/453 Rapide 165; 205; 240;340
13	-	Veertrekarm (incl. 14)	Spring draw arm (incl. 14)
14	450.0944	Rubberbus	Rubber bushing
15	462.0521	Veerpakket 80/1200-4 Rapide 130E	Spring assembly 80/1200-4 Rapide 130E
	462.0523	Veerpakket 100/1600-6 Rapide 165	Spring assembly 100/1600-6 Rapide 165
	462.0524	Veerpakket 100/1600-8 Rapide 205; 240;340	Spring assembly 100/1600-8 Rap.205;240;340
16	968.0372	Veerplaat 80/100 Rapide 130E	Spring plate 80/100 Rapide 130E
	968.0376	Veerplaat 100/110 Rapide 165; 205; 204; 240	Spring plate 100/110 Rap.165; 205; 240; 340
	432.0542	Veerstrop M20x320	Spring U-bolt M20x320
19	462.0567	Veerstrop M22×400	Spring U-bolt M22×400
21	462.0551	Borgmoer M20x2,5 Rapide 130E	Locking nut M20x2,5 Rapide 130E
	462.0568	Borgmoer M22×1,5 Rapide 165; 205; 240;340	Locking nut M22×1,5 Rap.165;205;240;340
21a	316.0738	Sluistring A21 Rapide 130E	Washer A21 Rapide 130E
	462.0569	Schijf 23/39-6 Rapide 165; 205; 240; 340	Ring 23/39-6 Rapide 165; 205; 240; 340
23	912.0172	Veer-asplaat 80/100 Rapide 130E	Spring axle plate 80/100 Rapide 130E
	961.0238	Veer-asplaat 100/110-40Rap 165;205;240;340	Spring axle plate100/110-40 165;205;240;340
25	301.0745	Bout M16×70	Bolt M16×70

20. SELF STEERING WHEEL AXLE

20. MEELOPEND GESTUURDE WIELAS

Drawing no. 975.0014

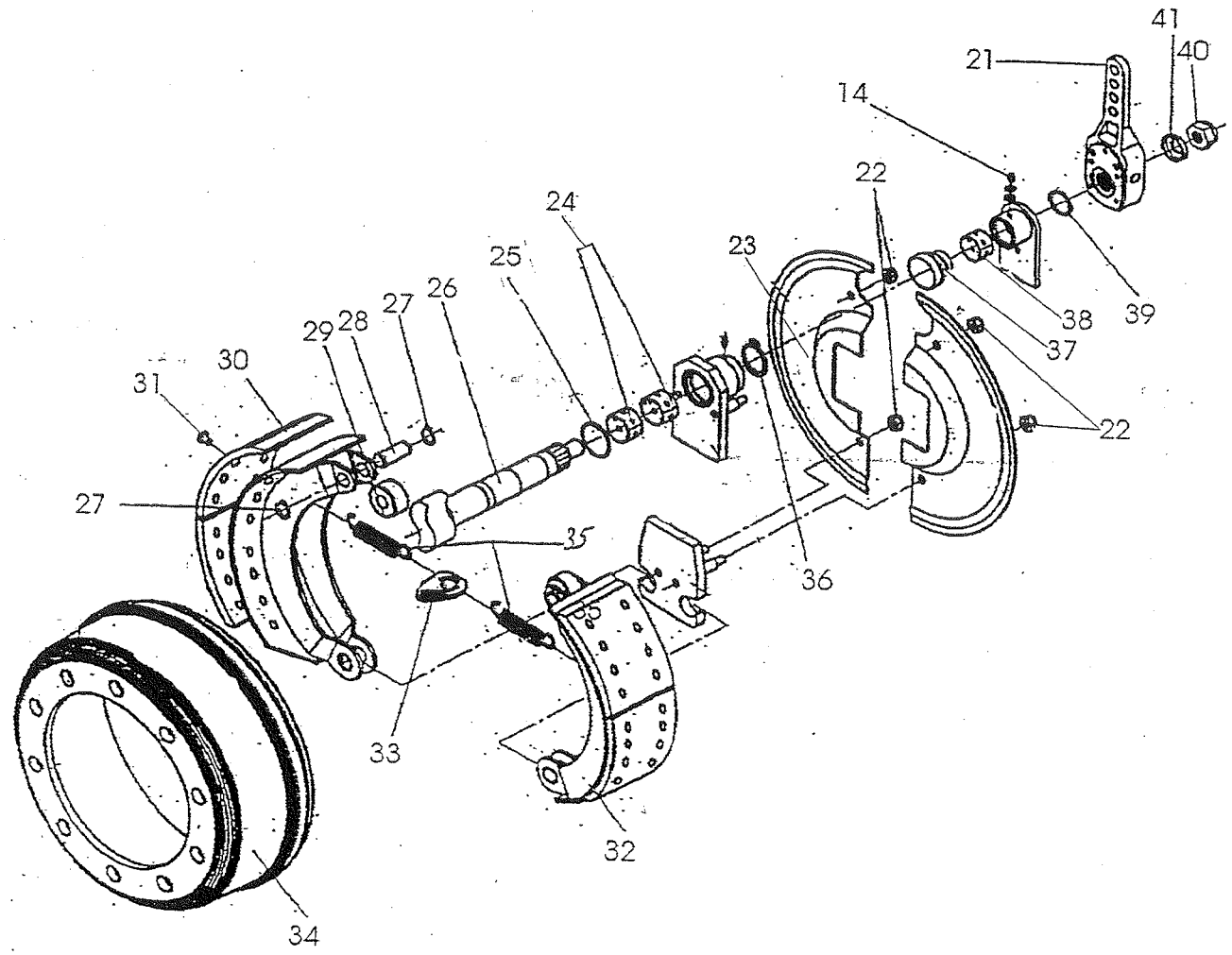
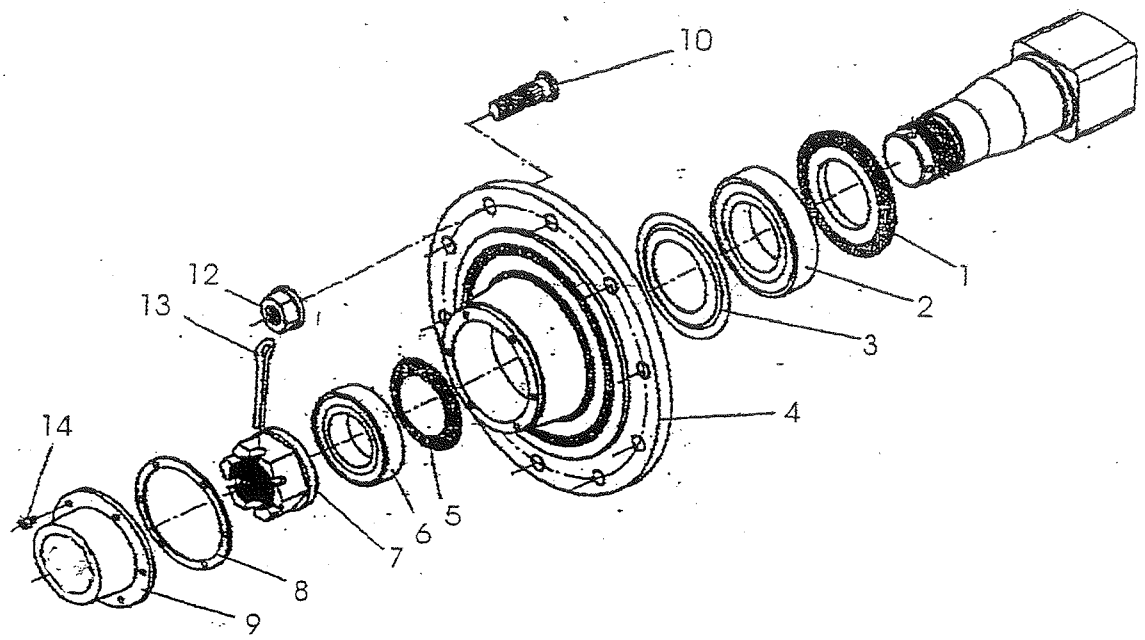
<i>Fig.</i>	<i>SR-no.</i>	<i>Omschrijving</i>	<i>Description</i>
1	435.0805	Volg-as EUR 1008/200-309 Rapide 130E	Self-steering axle EUR 1008/200-309 130E
	435.0819	Volg-as EUR 1110/200-408 Rapide 165; 205	Self-steering axle EUR 1110/200-408 165;205
	435.0820	Volg-as EUR 1110/220-408 Rapide 240	Self-steering axle EUR 1110/220-408 240
4	452.0405	Dopmoer M27×3	Capped nut M27×3
5	306.0368	Moer M27×3	Nut M27×3
7	452.0404	Arreteercilinder	Stop-motion cylinder
8	301.0781	Bout M20×130	Bolt M20×130
10	306.0314	Zelfborgende moer M20	Self-locking nut M20
11	452.0401	Spoorstang M30×3,5L/R-1220	Control lever M30×3,5L/R-1220
16	301.0795	Bout M20×190	Bolt M20×190
17	452.0396	Draadeind M30×3,5L (incl. 17a)	Threaded end M30×3,5L (incl. 17a)
17a	452.0398	Elastische lagerbus 20/38	Elastic bearing bush 20/38
18	306.0361	Moer M30×3,5L	Nut M30×3,5L
19	452.0397	Draadeind M30×3,5R (incl. 17a)	Threaded end M30×3,5R (incl. 17a)
20	306.0362	Moer M30×3,5R	Nut M30×3,5R
21	452.0406	Schokdemper	Shock absorber
22	301.0771	Bout M20×90	Bolt M20×90
24	452.0395	Sluitdeksel	Cover
25	301.0806	Bout M8×20	Bolt M8×20
26	452.0391	Lagerbus	Bearing bush
27	452.0390	Fusee-as	Swivel pin shaft
28	452.0393	Axiaalschijf	Axial disc
29	304.0115	Stelschroef M16×30	Setscrew M16×30
30	306.0702	Moer M16	Nut M16
31	452.0394	Vulschijf	Filler disc
32	452.0393	Axiaalschijf	Axial disc
33	301.0835	Bout M8×30	Bolt M8×30
34	-	Asstomp (zie blz. 49)	Shaft end (See page 49)



21. Wheel axles ADR Rapide 130E-MLA (Type 1008 Brake 300×90)

21. WIELASSEN ADR RAPIDE 130E-MLA (TYPE 1008 REM 300×90)

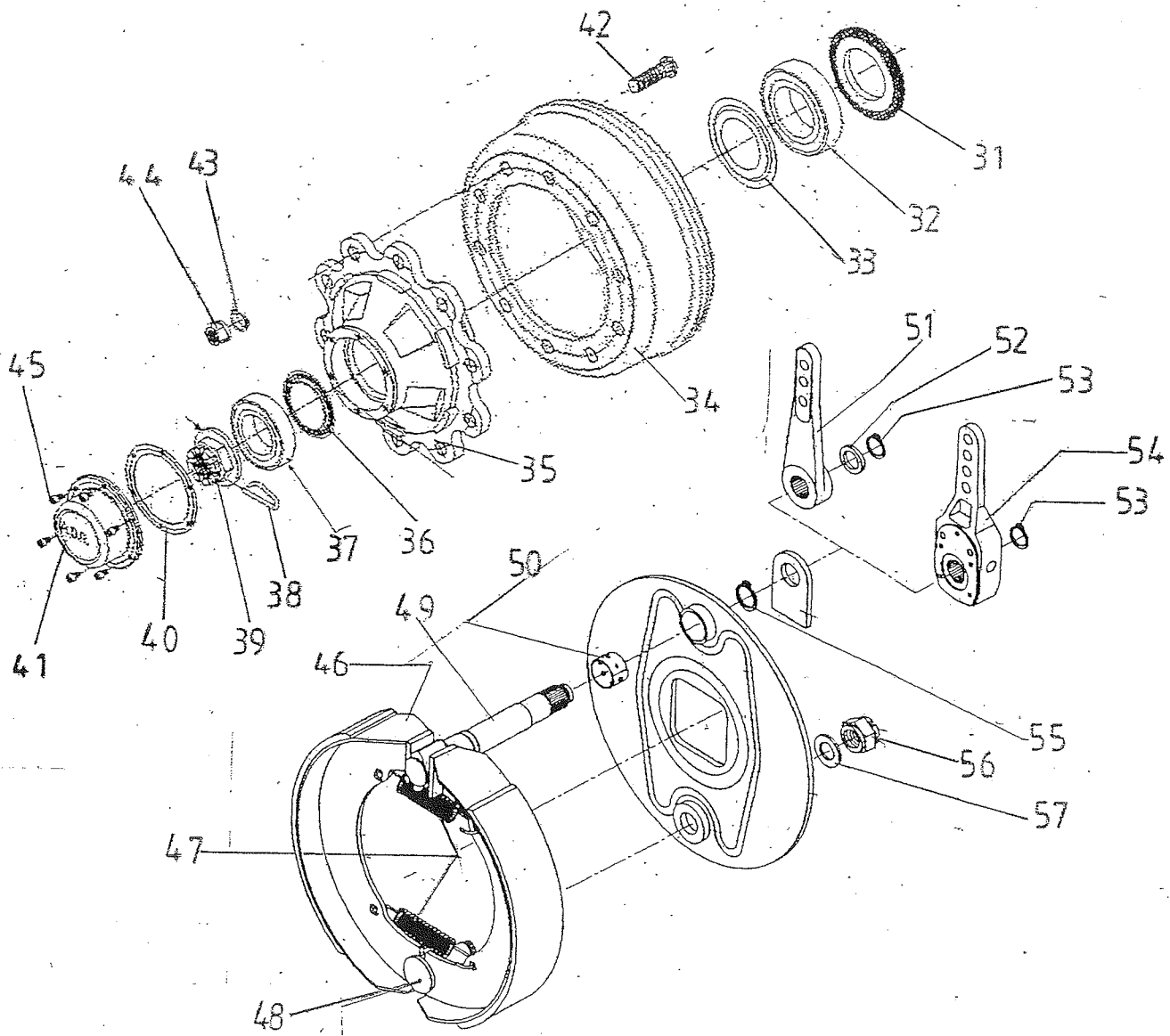
<i>Fig.</i>	<i>SR-no.</i>	<i>Omschrijving</i>	<i>Description</i>
	435.0550	Wielas 1008/200-8H/30S	Wheel axel 100/200-8H/30S
1	452.0323	Remtrommel 300×135!	Brake drum 300×135!
3	452.0337	Remschoen 300×90	Brake shoe 300×90
6	316.0918	Veerring 24mm	Spring ring 24mm
7	306.0717	Moer M24×1,5	Nut M24×1,5
8	452.0345	Trekveer 300×90	Draw spring 300×90
14	450.0629	Wielbout M20×1,5 L=70	Wheel bolt M20×1,5 L=70
15	450.0630	Wielmoer M20×1,5	Wheel nut M20×1,5
15a	450.0631	Bolle veerring 20mm	Spring ring 20mm
16	452.0364	Dichtring	Sealing ring
17	401.0145	Kegellager buiten 33212	Cone bearing outside 33212
18	401.0196	Kegellager binnen 32215	Cone bearing inside 32215
19	452.0358	Kroonmoer M48×1,5/75	Castle nut M48×1,5/75
20	375.0142	Splitpen 4×80	Split pin 4×80
21	452.0356	Naafdop Ø110 – schroefbevestiging	Hub cap Ø110 – screw fastening
22	452.0311	Wielnaaf	Radnabe
23	452.0343	Trekveer	Draw spring
24	452.0385	Remhefboom 32	Brake lever 32
25	452.0402	Remcilinder 25mm	Brake cylinder 25mm
26	920.0673	Scharnierpen 20mm	Pivoting pin 20mm
27	316.0725	Sluistring A21	Washer A21
28	375.0118	Splitpen 5×30	Split pin 5×30
29	349.0076	Pen 14mm	Pin 14mm
30	316.0741	Sluistring A15	Washer A15
31	375.0122	Splitpen 3×25	Split pin 3×25



22. Wheel axles Coleart ((Typ EUR 1110-412S) Brake 406×120)

22. WIELASSEN COLEART ((TYPE EUR 1110-412S) REM 406×120)

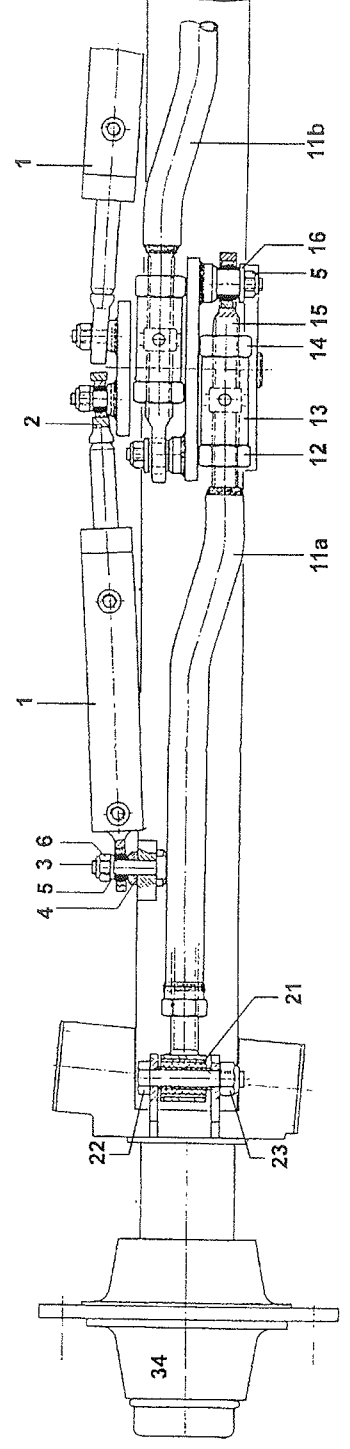
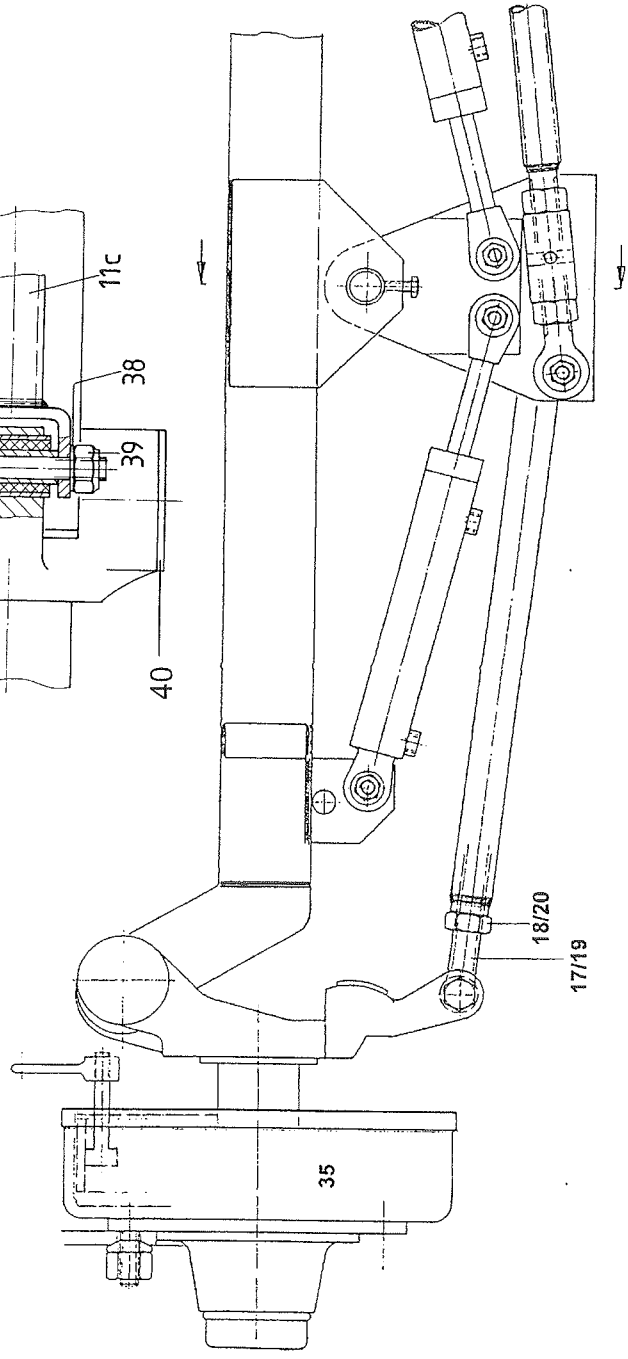
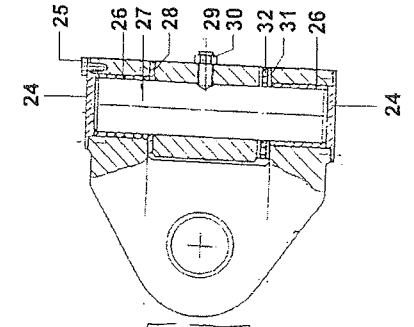
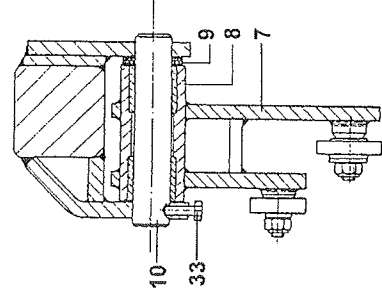
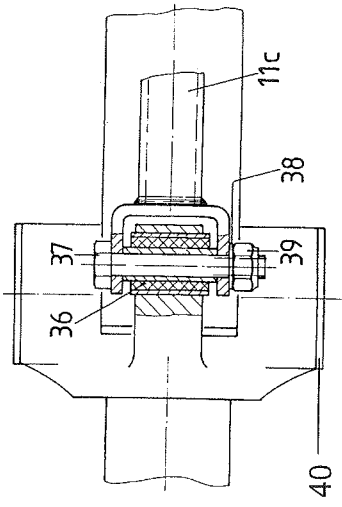
<i>Fig.</i>	<i>SR-no.</i>	<i>Omschrijving</i>	<i>Description</i>
-	955.0550	Wielas EUR 1110/200-412S Rapide 165; 205	Wheel axle 1110/200-412S Rapide 165; 205
-	955.0553	Wielas EUR 1110/220-412S Rapide 240; 340	Wheel axle 1110/220-412S Rapide 240; 340
1	452.0445	Steuning met afdichting 92/150	Supporting ring with sealing 92/150
2	401.0403	Kegellager 33118	Cone bearing 33118
3	452.0527	Dichtschiif	Sealing disc
4	452.0525	Wielnaaf	Wheel hub
5	452.0526	Dichtschiif	Sealing disc
6	401.0402	Kegellager 33215	Cone bearing 33215
7	452.0386	Kroonmoer M70x2-90R	Castle nut M70x2-90R
8	452.0482	Pakkingring	Seal ring
9	452.0529	Naaafdop 130	Hub cap 130
10	452.0335	Wielbout M22x1,5-96	Wheel bolt M22x1,5-96
12	452.0050	Wielmoer M22×1,5-KC	Wheel nut M22×1,5-KC
13	375.0127	Splitpen 10x100	Split pin 10x100
14	302.0606	Cilinderkopbout M8x12	Cylinder head bolt M8x12
21	452.0507	Remhefboom GS-10Z	Brake lever GS-10Z
22	306.0306	Borgmoer M10	Locking nut M10
23	452.0492	Set afdichtplaten 110	Set of seal plate 110
24	452.0493	Glijlager	Bearing bush
25	452.0494	O-ring	O-ring
26	452.0549	Remas S-10T/L670	Brake shaft S-10T/L670
	452.0550	Remas Z-10T/L670	Brake shaft Z-10T/L670
27	313.0102	Borgring A-20	Locking ring A-20
28	452.0490	Rolpen	Roller pin
29	452.0491	Rol	Roller
30	452.0486	Remvoering 406x120	Brake lining 406x120
31	452.0487	Klinknagel	Rivet
32	452.0484	Remschoen met voering 412S (406x120)	Brake shoe with lining 412S (406x120)
33	452.0489	Veerspanstuk	Spring clamp
34	452.0329	Remtrommel 406x120	Brake drum 406x120
35	452.0488	Trekveer	Draw spring
36	313.0126	Borgring A-42	Locking ring A-42
37	452.0022	Manchet	Sealing bush
38	452.0497	Glijlager	Bearing bush
39	452.0524	Draadring	Wire ring
40	313.0106	Borgring A-25	Locking ring A-25
41	316.0727	Sluitring 26mm	Washer 26mm



23. TRACK FOLLOWING AXLES COLAERT TYP EUR 1110-408E (BRAKE 400×80)

23. MEELOPENDE WIELAS COLAERT TYPE EUR 1110-408E (REM 400×80)

<i>Fig.</i>	<i>SR-nr.</i>	<i>Omschrijving</i>	<i>Description</i>
-	435.0819	Wielas 1110-400x80 (408E) Rapide 165; 205	Wheel axle 1110-400x80 (408E) Rap. 165;205
	435.0820	Wielas 1110-400x80 (408E) Rapide 204; 340	Wheel axle 1110-400x80 (408E) Rap.240; 340
31	452.0445	Steunring met dichtring	Supportingring with sealing
32	401.0403	Kegellager binnen 33118	Cone bearing 33118
33	452.0527	Dichtschiif 33118	Sealing disc 33118
34	452.0328	Remtrommel 400×80	Brake drum 400×80
35	452.0525	Wielnaaf	Wheel hub
36	452.0526	Dichtschiif	Sealing disc
37	401.0402	Kegellager buiten 33215	Cone bearing 33215
38	375.0127	Splitpen 10x100	Split pin 10x100
39	452.0386	Kroonmoer M70×2-R90	Castle nut M70×2-R90
40	452.0483	Pakkingring	Sealing ring
41	452.0528	Naafdop St.c. 144	Hub cap St.c. 144
42	452.0335	Wielbout M22×1,5 L=96	Wheel bolt M22×1,5 L=96
43	450.0735	Bolle veerring 22 mm	Cone spring ring 22 mm
44	450.0736	Wielmoer M22×1,5	Wheel nut M22×1,5
45	302.0606	Cilinderkopbout M8x12	Cylinder head bolt M8x12
46	452.1004	Remschoenset 408E (incl. 47 en 48)	Brake shoe with lining 408E (inkl. 47 and 48)
47	452.0343	Trekveer	Draw spring
48	452.1003	Rembout 408E	Brake bolt 408E
49	452.1007	Remas	Brake shaft
50	452.1006	Lagerbus	Bearing bush
51	452.1005	Remhefboom 32	Brake lever 32
53	313.0106	Borgring A-25	Locking ring A-25
54	452.0387	Remhefboom Li. GS	Brake lever GS-Li.
	452.0399	Remhefboom Re. GS	Brake lever GS-Re.
55	313.0112	Borgring A-38	Locking ring A-38
56	316.0727	Sluitring A26	Washer A26
57	316.0318	Borgmoer M24x1,5	Locking nut M24x1,5

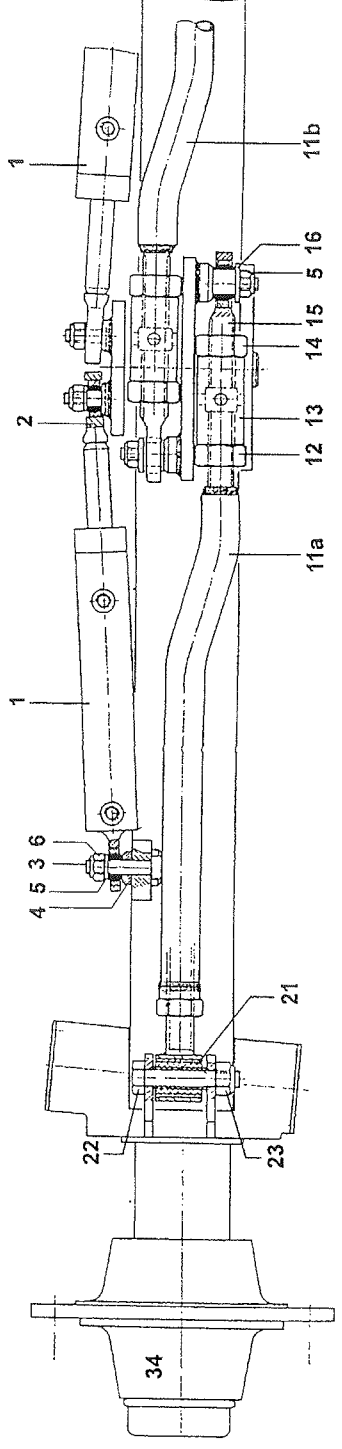
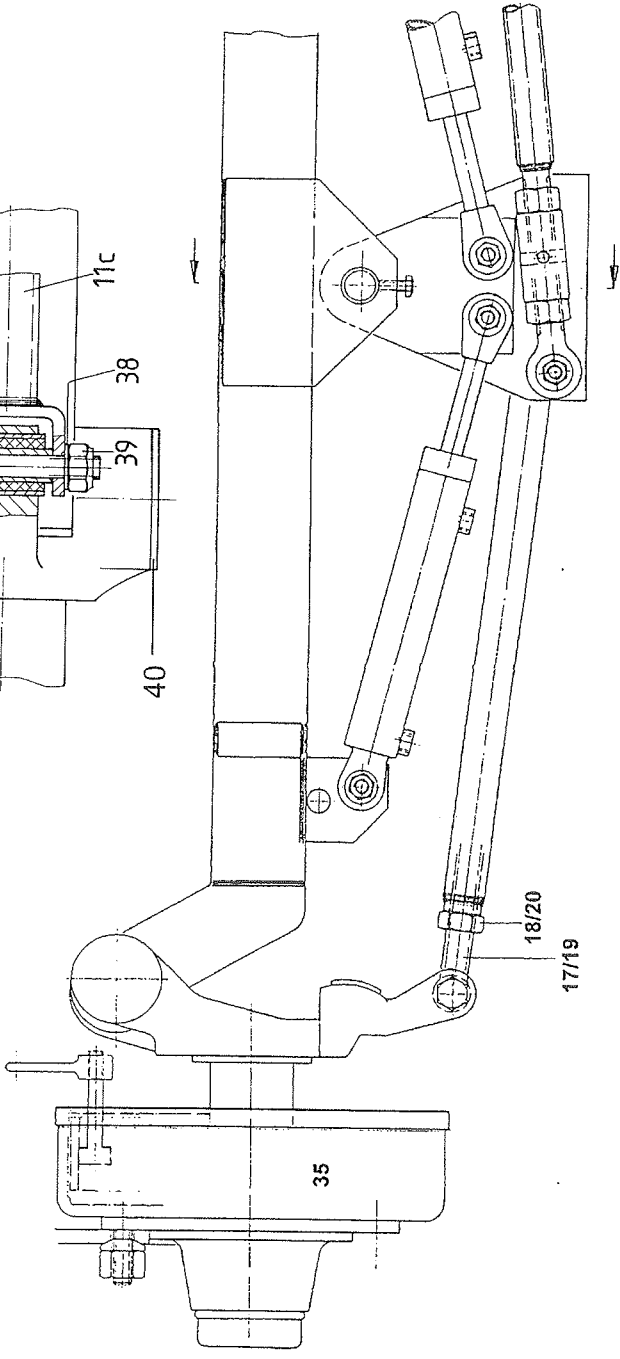
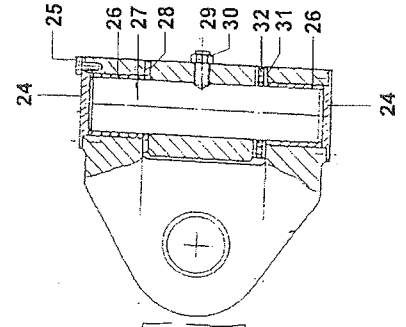
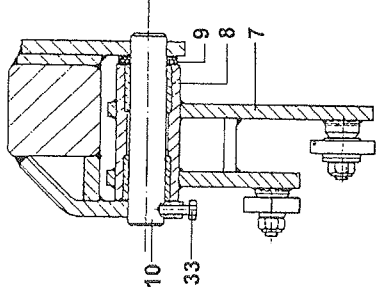
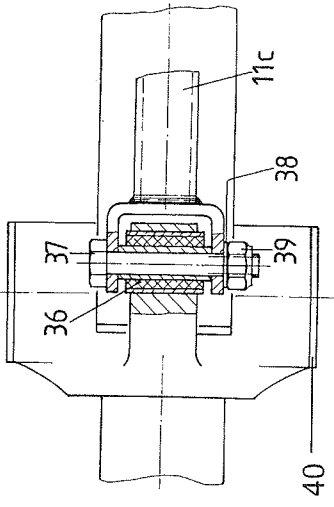


24. STEERING FRONT AXLE RAPIDE 340

24. GEDWONGEN GESTUURDE VOORAS RAPIDE 340

Drawing no. 975.0014

<i>Fig.</i>	<i>SR-no.</i>	<i>Omschrijving</i>	<i>Description</i>
-	955.7008	Stuuras-voor EUR 1110/220-408E	Steering axle Front EUR 1110/220-408E
1	355.0442	Hydr. cilinder D50/25-440	Hydr. cylinder D50/25-440
1a	450.0782	Set afdichtingen t.b.v. 1	Set of seals for 1
2	401.0228	Stangkop GIHR 20 DO (incl. 2a)	Rod end GIHR 20 DO (incl. 2a)
2a	401.0191	Kogelgewrichtslager GE 20 DO	Ball joint GE 20 DO
3	921.0065	Cilinderpen	Cylinder pin
4	926.0099	Tussenring	Filler disc
5	316.0707	Sluitring A17	Washer A17
6	306.0303	Borgmoer M16	Locking nut M16
7	968.0683	Stuurplaat-V	Steering plate-V
8	927.0121	Glijlagerbus	Bearing bush
9	403.0112	Axiaalschijf AS-4060	Axial disc AS-4060
10	920.0793	Stuurplaatpen	Steering pin
12	306.0113	Moer M30x2-R	Nut M30x2-R
13	920.0567	Stelbus M30x2-L/R	Adjustment bush M30x2-L/R
14	306.0112	Moer M30x2-L	Nut M30x2-L
15	401.0173	StangkopGAL 30 DO (incl.15a)	Rod end GAL 30 DO
15a	401.0186	Kogelgewrichtslager GE 30 DO	Ball joint GE 30 DO
16	316.0737	Sluitplaat A17	Washer A17
17	452.0396	Draadeind met bus M30x3,5L	Threaded end wich bush M30x3,5L
18	306.0361	Moer M30x3,5L	Nut M30x3,5L
19	452.0397	Draadeind met bus M30x3,5R	Threaded end wich bush M30x3,5R
20	306.0362	Moer M30x3,5R	Nut M30x3,5R
21	452.0398	Elastische lagerbus 30/38	Elastic bearing bush 30/38
22	301.0771	Bout M20x90	Bolt M20x90
23	306.0314	Borgmoer M20	Locking nut M20
24	452.0395	Sluitdeksel	Cover
25	301.0806	Bout M8x20	Bolt M8x20
26	452.0391	Lagerbus 60	Bearing bush 60
27	452.0390	Fusee-as 60	Swivel pin shaft 60
28	452.0392	Axiaalschijf	Axial disc
29	304.0115	Stelshroef M16x30	Set screw M16x30
30	306.0702	Moer M16	Nut M16
31	452.0394	Vulschijf	Filler disc
32	452.0393	Axiaalschijf	Axial disc
33	301.0835	Bout M8x30	Bolt M8x30
34	-	Asstomp (zie blz. 49)	Shaft end (See page 49)

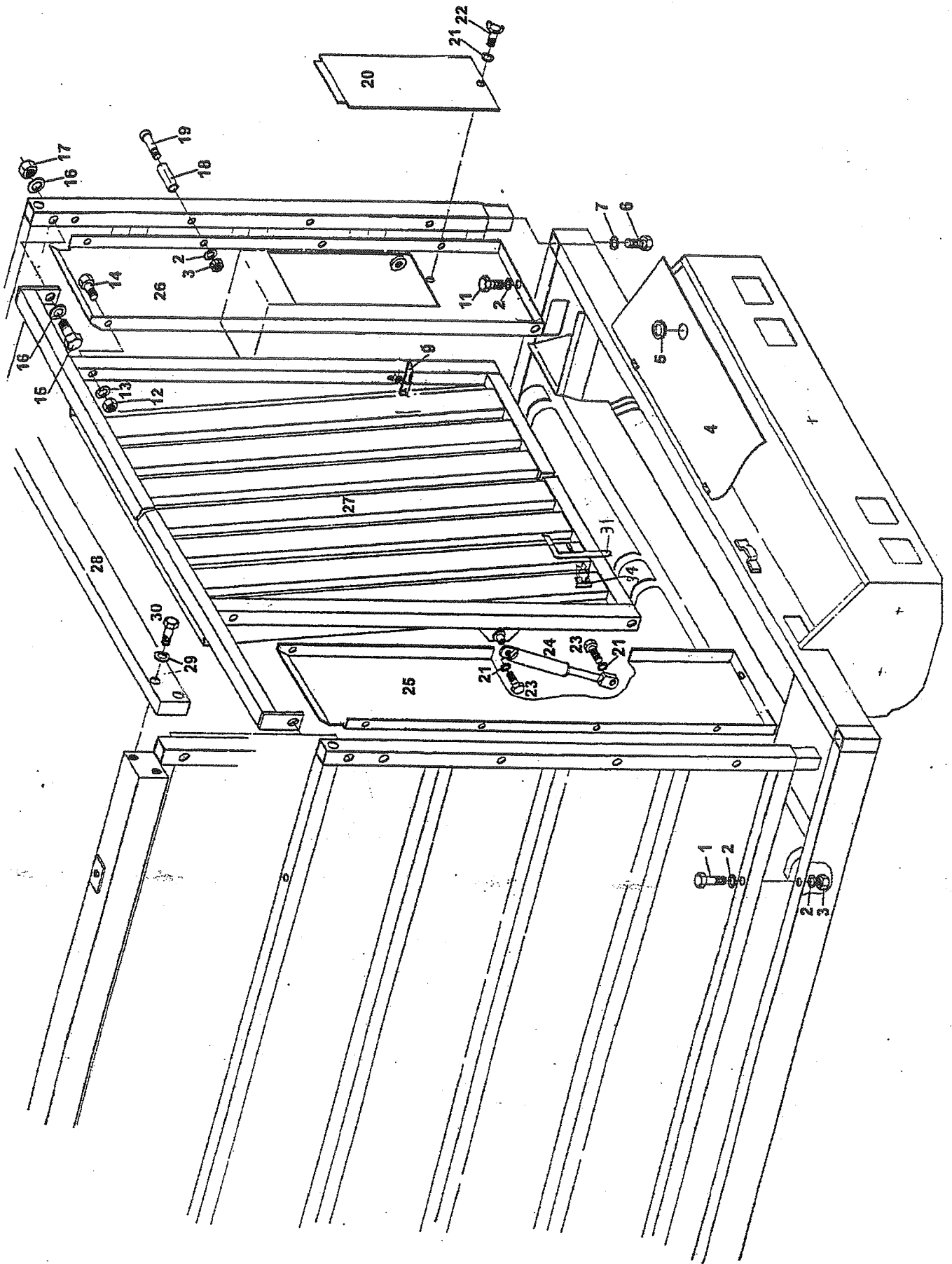


25. STEERING REAR AXLE RAPIDE 340

25. GEDWONGEN GESTUURDE ACHTERAS RAPIDE 340

Drawing no. 975.0014

<i>Fig.</i>	<i>SR-no.</i>	<i>Omschrijving</i>	<i>Description</i>
-	955.7009	Stuuras-achter EUR 1110/220-408E	Steering axle Rear EUR 1110/220-408E
1	355.0442	Hydr. cilinder D50/25-440	Hydr. cylinder D50/25-440
1a	450.0782	Set afdichtingen t.b.v. 1	Set of seals for 1
2	401.0228	Stangkop GIHR 20 DO (incl. 2a)	Rod end GIHR 20 DO (incl. 2a)
2a	401.0191	Kogelgewrichtslager GE 20 DO	Ball joint GE 20 DO
3	921.0065	Cilinderpen	Cylinder pin
4	926.0099	Tussenring	Filler disc
5	316.0707	Sluitring A17	Washer A17
6	306.0303	Borgmoer M16	Locking nut M16
7	968.0683	Stuurplaat-A	Steering plate-A
8	927.0121	Glijlagerbus	Bearing bush
9	403.0112	Axiaalschijf AS-4060	Axial disc AS-4060
10	920.0793	Stuurplaatpen	Steering pin
12	306.0113	Moer M30x2-R	Nut M30x2-R
13	920.0567	Stelbus M30x2-L/R	Adjustment bush M30x2-L/R
14	306.0112	Moer M30x2-L	Nut M30x2-L
15	401.0173	StangkopGAL 30 DO (incl.15a)	Rod end GAL 30 DO
15a	401.0186	Kogelgewrichtslager GE 30 DO	Ball joint GE 30 DO
16	316.0737	Sluitplaat A17	Washer A17
17	452.0396	Draadeind met bus M30x3,5L	Threaded end wich bush M30x3,5L
18	306.0361	Moer M30x3,5L	Nut M30x3,5L
19	452.0397	Draadeind met bus M30x3,5R	Threaded end wich bush M30x3,5R
20	306.0362	Moer M30x3,5R	Nut M30x3,5R
21	452.0398	Elastische lagerbus 30/38	Elastic bearing bush 30/38
22	301.0771	Bout M20x90	Bolt M20x90
23	306.0314	Borgmoer M20	Locking nut M20
24	452.0395	Sluitdeksel	Cover
25	301.0806	Bout M8x20	Bolt M8x20
26	452.0391	Lagerbus 60	Bearing bush 60
27	452.0390	Fusee-as 60	Swivel pin shaft 60
28	452.0392	Axiaalschijf	Axial disc
29	304.0115	Stelshroef M16x30	Set screw M16x30
30	306.0702	Moer M16	Nut M16
31	452.0394	Vulschijf	Filler disc
32	452.0393	Axiaalschijf	Axial disc
33	301.0835	Bout M8x30	Bolt M8x30
34	-	Asstomp (zie blz. 49)	Shaft end (See page 49)

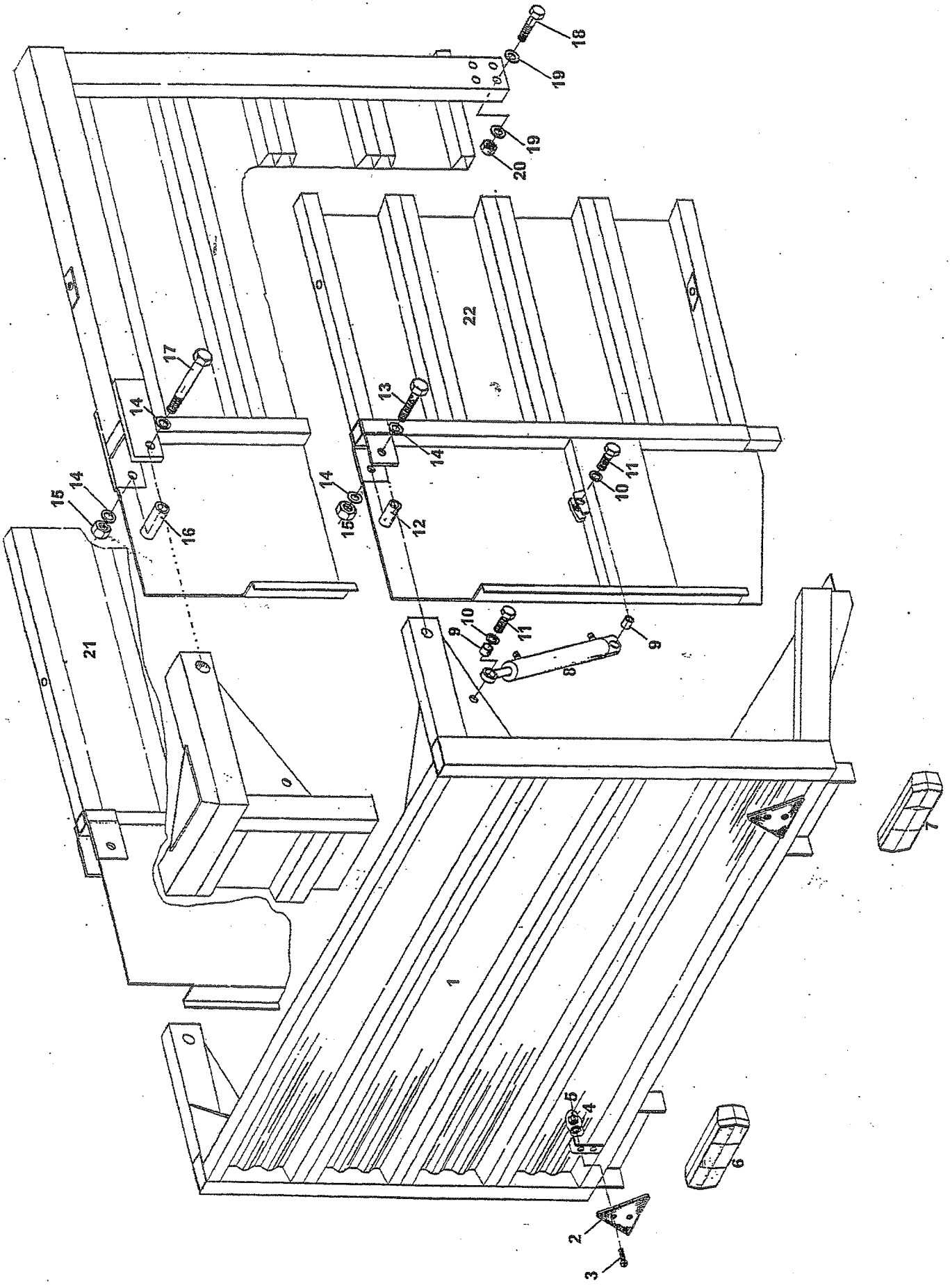


26. FRONT BOARD

26. VOORBORD

Drawing no. 975.0001

<i>Fig.</i>	<i>SR-no.</i>	<i>Omschrijving</i>	<i>Description</i>
1	301.0739	Bout M10×90	Bolt M10×90
2	316.0705	Sluitring A10,5	Washer A10,5
3	306.0306	Borgmoer M10	Locking nut M10
4	937.1765	Deksel-160 Rapide 130E	Protective cover-160 Rapide 130E
	937.1766	Deksel-175 Rapide 165; 205	Protective cover-175 Rapide 165; 205
	937.1767	Deksel-200 Rapide 240; 340	Protective cover-200 Rapide 240; 340
6	301.0745	Bout M16×70 (achter)	Bolt M16×70 (rear)
	301.0787	Bout M16×200 (voor)	Bolt M16×200 (front)
7	316.0707	Sluitring A17	Washer A17
7a	316.0901	Veerring 16 mm	Spring washer 16 mm
9	371.0294	Tuimelsluiting	Rocker fastening
11	301.0809	Bout M10×20	Bolt M10×20
12	306.0303	Borgmoer M16	Locking nut M16
13	316.0707	Sluitring A17	Washer A17
14	301.0759	Bout M16×80	Bolt M16×80
15	301.0771	Bout M20×90	Bolt M20×90
16	316.0725	Sluitring A21	Washer A21
17	306.0314	Borgmoer M20	Locking nut M20
18	925.0393	Busje L37	Bush L37
19	302.0603	Cilinderkopbout M10×60	Cylinder head bolt M10×60
20	937.0841	Sluitplaat	Locking plate
21	316.0703	Sluitring A8,4	Washer A8,4
22	349.0063	Vleugelbout M8×20	Wing bolt M8×20
23	301.0750	Bout M8×35	Bolt M8×35
24	333.0001	Gasdrukveer	Gas pressure spring
25	961.0107	Voorwand-zijstuk rechts	Front board side piece right
26	969.1145	Voorwand-zijstuk links	Front board side piece left
27	969.2567	Voorbord 2221 Rapide 130E	Front board 2221 Rapide 130E
	969.2568	Voorbord 2221 Rapide 165; 205	Front board 2221 Rapide 165; 205
	969.2569	Voorbord 2421 Rapide 240; 340	Front board 2421 Rapide 240; 340
28	968.0419	Bovenrand 22 Rapide 165; 205	Top edge 22 Rapide 165; 205
	961.0189	Bovenrand 24 Rapide 240; 340	Top edge 24 Rapide 240; 340
29	316.0702	Sluitring A13	Washer A13
30	301.0785	Bout M12×80	Bolt M12×80
31	961.0119	Grendelpen	Locking pin
34	330.0002	Borgveer	Locking spring

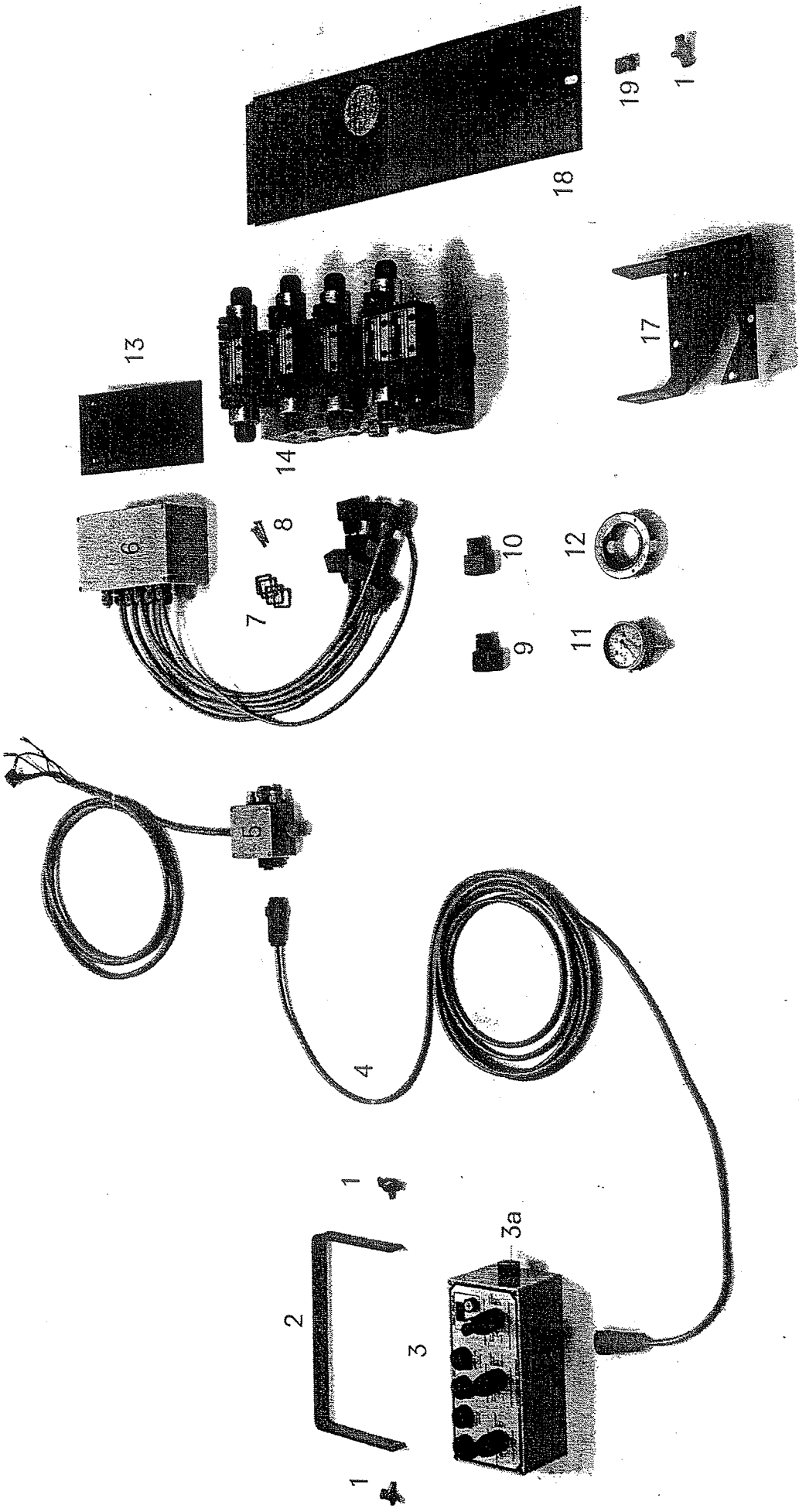


27. TAILGATE

27. ACHTERKLEP

Drawing no. 975.0002

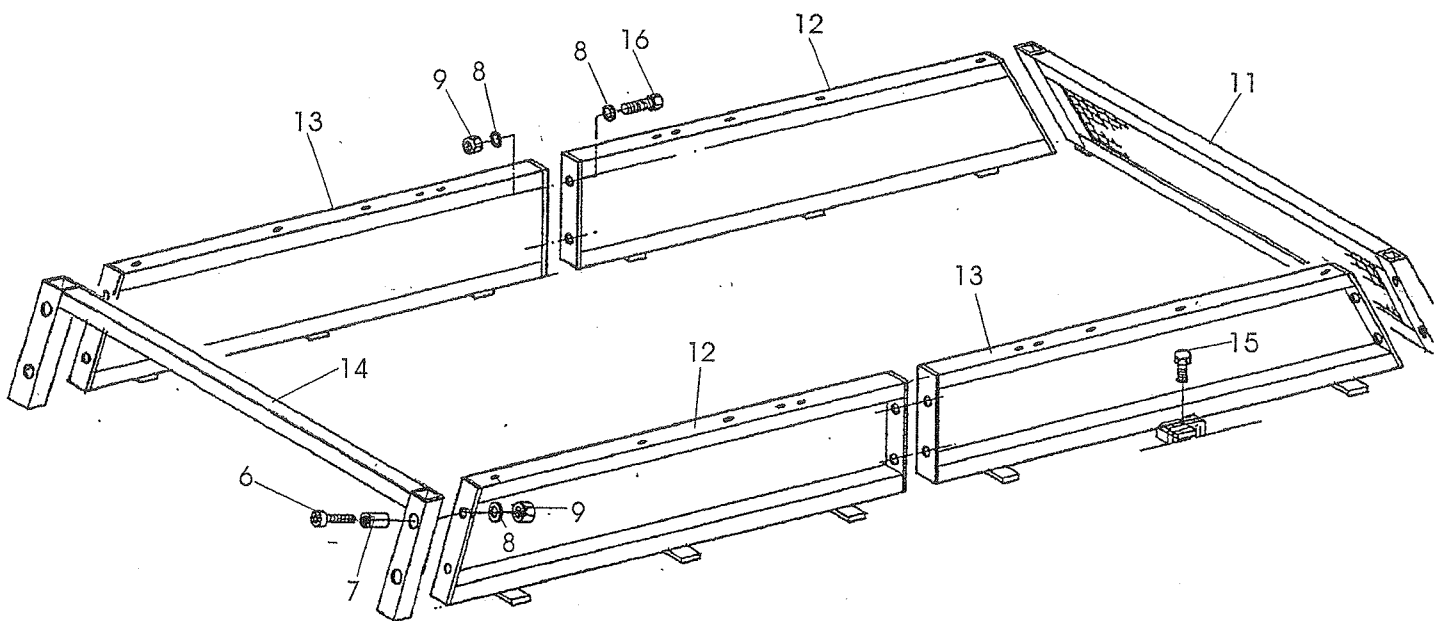
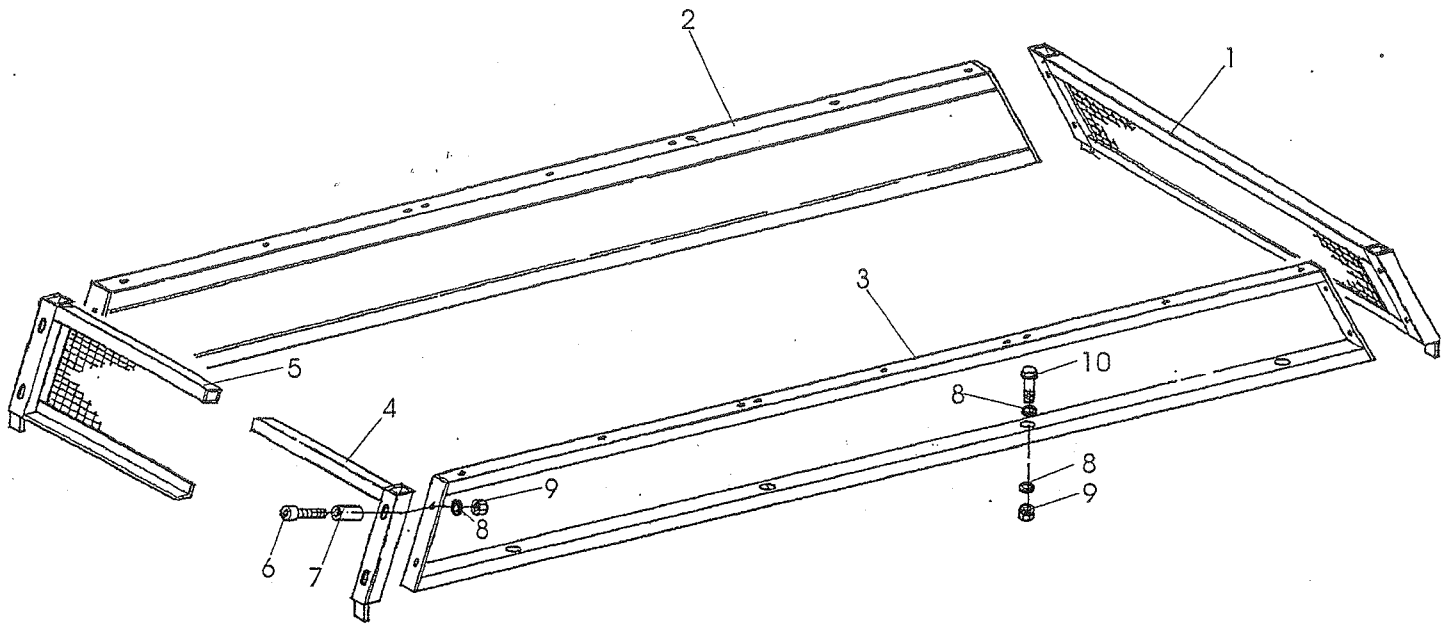
<i>Fig.</i>	<i>SR-no.</i>	<i>Omschrijving</i>	<i>Description</i>
1	951.0025	Achterklep Rapide 130E	Tailgate Rapide 130E
	951.0026	Achterklep Rapide 165; 205	Tailgate Rapide 165; 205
	951.0055	Achterklep Rapide 240; 340	Tailgate Rapide 240; 340
2	482.0201	Driehoek-reflector	Reflecting warning triangle
3	303.0937	Cilinderkopschroef M5×12	Cylinder head screw M5×12
4	316.0730	Sluistring A5,3	Washer A5,3
5	306.0335	Borgmoer M5	Locking nut M5
6	480.0026	Achterlamp links	Rear light left
7	480.0027	Achterlamp rechts	Rear light right
7a	482.0104	Glas voor achterlicht	Glass for rear light
8	355.3001	Hydr. cilinder D50/25-670 Rapide 130E	Hydr. Cylinder D50/25-670 Rapide 130E
	355.3002	Hydr. cilinder D50/25-875	Hydr. Cylinder D50/25-875
8a	454.0813	Set afdichtingen t.b.v. 8	Set of seals for 8
9	925.0711	Lagerbusje L=27,5	Bearing bush L=27,5
9a	925.0775	Lagerbusje L=31,5	Bearing bush L=31,5
10	316.0707	Sluistring A17	Washer A17
11	301.0746	Bout M16×55	Bolt M16×55
11a	301.0761	Bout M16×60	Bolt M16×60
12	925.0651	Scharnierbusje L=54 Rapide 130E	Knuckle L=54 Rapide 130E
13	301.0762	Bout M16×90 Rapide 130E	Bolt M16×90 Rapide 130E
14	316.0707	Sluistring A17	Washer A17
15	306.0702	Moer M16	Nut M16
16	925.0922	Scharnierbusje L=101	Knuckle L=101
17	301.0738	Bout M16×150	Bolt M16×150
18	301.0785	Bout M12×80	Bolt M12×80
19	316.0701	Sluistring A13	Washer A13
20	306.0302	Borgmoer M12	Locking nut M12
21	961.0582	Zijbord links Rapide 130E	Side board left Rapide 130E
	961.0995	Zijbord links Rapide 165	Side board left Rapide 165
21a	951.0011	Zijbord links cpl. Rapide 205; 240	Side board left complete Rapide 205; 240
	951.0045	Zijbord links cpl. Rapide 340	Side board left complete Rapide 340
	969.1458	Zijbord links Rapide 205; 240	Side board left Rapide 205; 240
21b	969.2576	Zijbord links Rapide 340	Side board left Rapide 340
	969.0911	Zijstuk voor achterklep Rapide 205; 240; 340	Side piece for tailgate Rapide 205; 240; 340
22	961.0996	Zijbord rechts Rapide 165	Side board right Rapide 165
	951.0012	Zijbord rechts cpl. Rapide 205; 240	Side board right complete Rapide 205; 240
	951.0046	Zijbord rechts cpl. Rapide 340	Side board right complete Rapide 340
22a	969.1459	Zijbord rechts Rapide 205; 240	Side board right Rapide 205; 240
	969.2577	Zijbord rechts Rapide 340	Side board right Rapide 340
22b	969.0912	Zijstuk voor achterklep Rapide 205; 240; 340	Side piece for tailgate Rapide 205; 240; 340



28. HYDRAULIC/ELEKTRICAL OPERATION

28. HYDRAULISCHE/ELEKTRISCHE BEDIENING

<i>Fig.</i>	<i>SR-no.</i>	<i>Omschrijving</i>	<i>Description</i>
1	349.0063	Vleugelknop M8×20	Wing nut M8×20
2	912.0146	Bevestigingsbeugel	Mounting bracket
3	983.0540	Bedieningsunit (incl. 3a t/m f)	Pilot box (incl. 3a up to f)
3a	349.0067	Trillingsdemper	Vibration damper
3b	484.0133	Kontaktblok	Contact block
3c	484.0134	Schakelhandel-vast	Fixed switch lever
3d	484.0135	Schakelhandel-verend	Spring switch lever
3e	484.0132	Beschermhoes	Protective cover
3f	484.0037	Signaallamp-rood	Warning light, red
3g	484.0136	Drukschakelaar-rood	Pressure switch, red
3h	484.0137	Drukschakelaar-groen	Pressure switch, green
3i	484.0138	Impulsschakelaar "+"	Impuls switch "+"
3j	484.0139	Impulsschakelaar "-"	Impuls switch "-"
3k	484.0144	Chassisdeel met pen 4-polig	Surface-mounted connector 4P
4	484.0602	Verbindingskabel	Connection cable
4a	484.0142	Stekker met pen 4-polig	Straight cable connector 4P
	484.0143	Stekker met pen 4-polig	Straight cable socket 4P
5	484.0607	Voedingsunit	Supply unit
5a	484.0144	Chassisdeel met pen 4-polig	Surface-mounted connector 4P
6	484.0606	Stuurunit	Control unit
7	484.0121	Dichtring GDM 3-16	Sealing ring GDM 3-16
8	484.0122	Schroef M3×35	Screw M3×35
9	484.0059	Connector zwart (incl. 7 en 8)	Connector, black (incl. 7 and 8)
10	484.0060	Connector grijs (incl. 7 en 8)	Connector, grey (incl. 7 and 8)
11	355.0399	Manometer 0-250 bar (incl.12)	Manometer 0-250 Bar (incl.12)
13	961.0881	Montage-steunplaat	Mounting-support plate
14	355.4004	Hydraulisch manifold Bo/LS	Electro-hydraulic manifold Bo/LS
17	969.1146	Manifold-console	Manifold support
18	937.0841	Sluitplaat	Locking plate
19	306.0359	Plaatmoer M8 zelfborgend	Self-locking plate nut M8

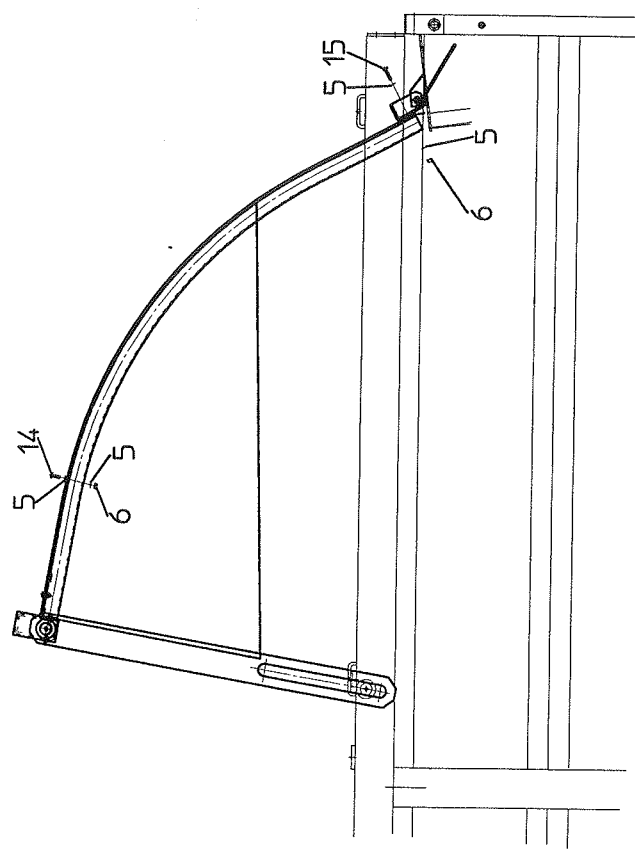
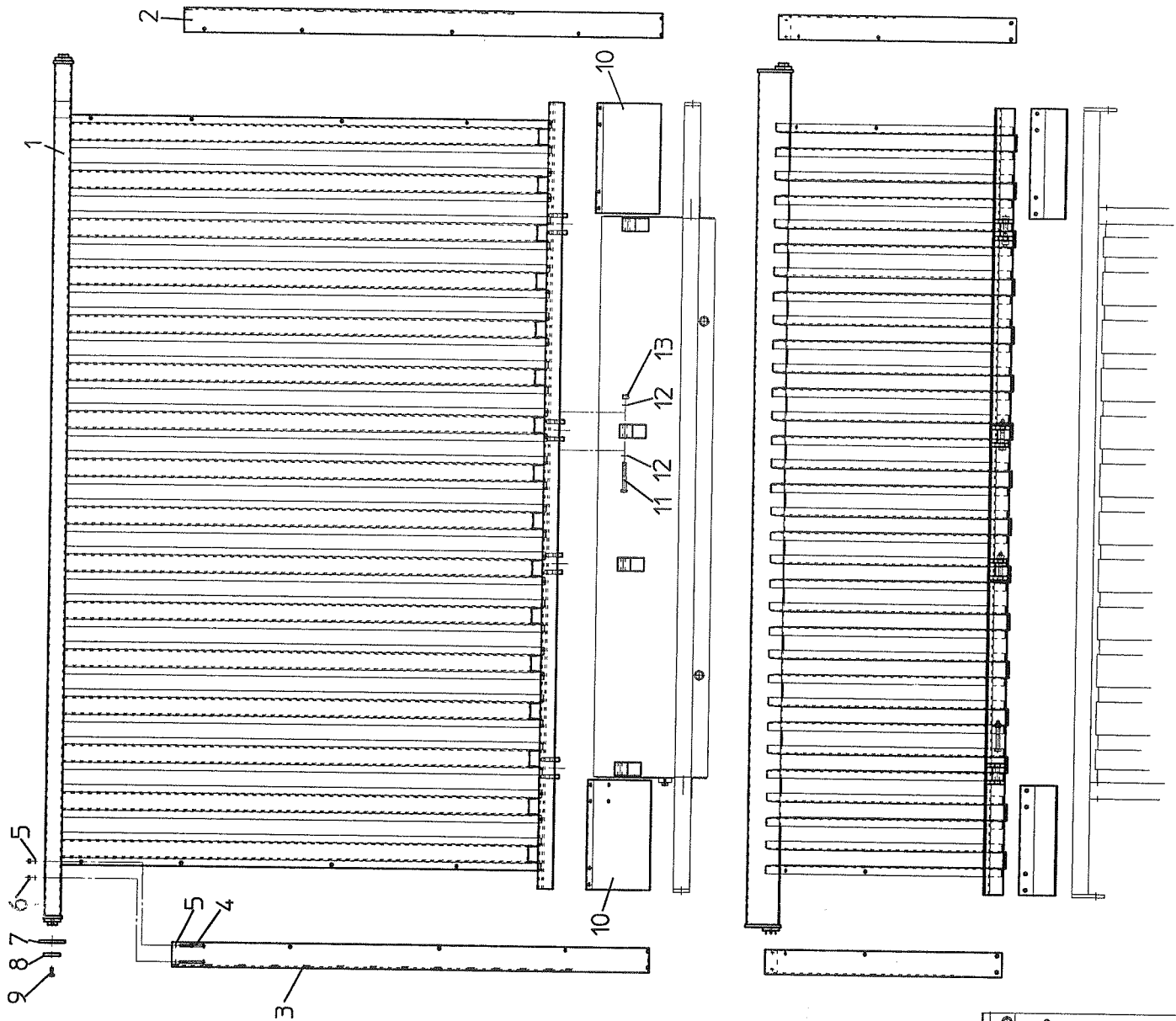


29. STEEL CONSTRUCTION AS WINDCOVER

29. STAALOPBOUW ALS WINDKAP

Drawing no. : 975.0034

<i>Fig.</i>	<i>SR-no.</i>	<i>Omschrijving</i>	<i>Description</i>
-	994.0630	Windkap Rapide 130E	Wind cover steel Rapide 130E
	994.0631	Windkap Rapide 165	Wind cover steel Rapide 165
	994.0632	Windkap Rapide 205	Wind cover steel Rapide 205
	994.0718	Windkap Rapide 240	Wind cover steel Rapide 240
	994.3120	Windkap Rapide 340	Wind cover steel Rapide 340
1	967.0915	Vorstuk met gaas Rapide 130E	Front part gauze Rapide 130E
2	969.0255	Zijstuk-Li. Rapide 130E	Side pice-Li. Rapide 130E
3	969.0256	Zijstuk-Re. Rapide 130E	Side pice-Re. Rapide 130E
4	967.0576	Achterbeugel Rapide 130E	Rear bracket Rapide 130E
6	302.0603	Cilinderkopbout M10x60	Cylinder head bolt M10x60
7	925.0393	Buisje L37	Bush L37
8	316.0705	Sluistring A10,5	Washer A10,5
9	306.0306	Borgmoer M10	Locking nut M10
11	967.0916	Vorstuk met gaas Rapide 165; 205	Front part gauze Rapide 165; 205
	969.1391	Vorstuk met gaas Rapide 240	Front part gauze Rapide 240
12	961.0575	Zijstuk-RH Rapide 165	Side pice-RH Rapide 165
	961.0577	Zijstuk-RH Rapide 205; 240	Side pice-RH Rapide 205; 240
	969.2587	Zijstuk-RH Rapide 340	Side pice-RH Rapide 340
13	961.0574	Zijstuk-LH Rapide 165	Side-pice LH Rapide 165
	961.0576	Zijstuk-LH Rapide 205; 240	Side-pice LH Rapide 205; 240
	969.2586	Zijstuk-LH Rapide 340	Side-pice LH Rapide 340
14	961.0274	Achterbeugel Rapide 165; 205	Rear bracket Rapide 165; 205
	961.0311	Achterbeugel Rapide 240; 340	Rear bracket Rapide 240; 340
15	301.0805	Bout M10x25	Bolt M10x25
16	301.0811	Bout M10x30	Bolt M10x30



30. GUIDE BOARD ON WINDCOVER

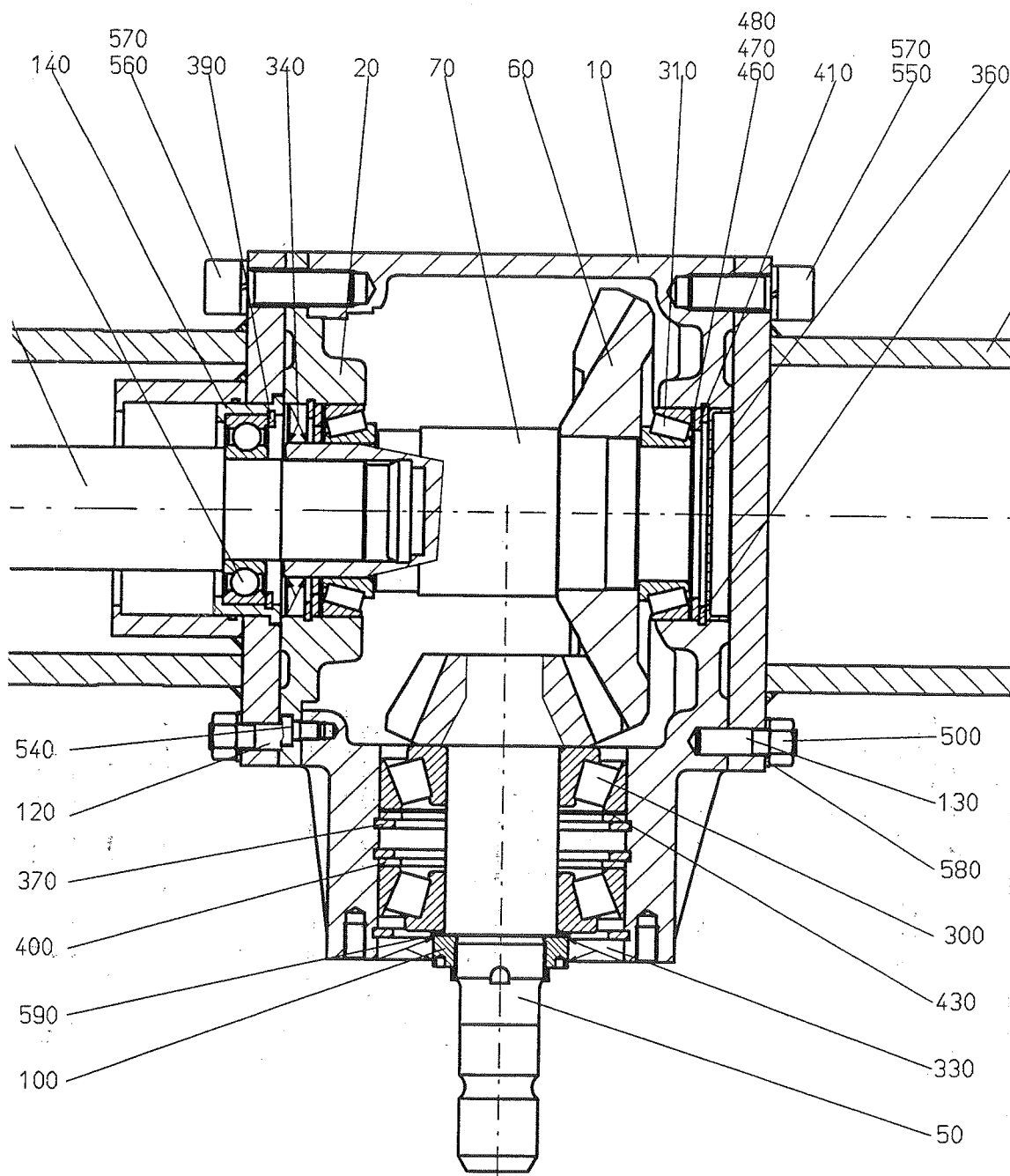
30. GELEIDEBORD OP WINDKAP

Drawing no. : 975.0044

<i>Fig.</i>	<i>SR-no.</i>	<i>Omschrijving</i>	<i>Description</i>
-	994.3123	Geleidebord cpl. Rapide 130E	Guide board cpl. Rapide 130E
	994.3121	Geleidebord cpl. Rapide 165; 205	Guide board cpl. Rapide 165; 205
	994.3122	Geleidebord cpl. Rapide 240; 340	Guide board cpl. Rapide 240; 340
1	969.2564	Geleidebord Rapide 130E	Guide board Rapide 130E
	969.2535	Geleidebord Rapide 165; 205	Guide board Rapide 165; 205
	969.2538	Geleidebord Rapide 240; 340	Guide board Rapide 240; 340
2	969.2565	Zijplaat Li. Rapide 130E	Side plate Li.. Rapide 130E
	969.2536	Zijplaat Li. Rapide 165; 205	Side plate Li. Rapide 165; 205
	969.2539	Zijplaat Li. Rapide 240; 340	Side plate Li. Rapide 240; 340
3	969.2566	Zijplaat Re. Rapide 130E	Side plate Re. Rapide 130E
	969.2537	Zijplaat Re. Rapide 165; 205	Side plate Re. Rapide 165; 205
	969.2540	Zijplaat Re. Rapide 240; 340	Side plate Re. Rapide 240; 340
4	301.0730	Bout M8x70	Bolt M8x70
5	316.0703	Sluitring A8,4	Washer A8,4
6	306.0312	Borgmoer M8	Locking nut M8
7	913.0601	Trekstrip	Tension member
8	316.0742	Sluitring 50/11-8	Washer 50/11-8
9	301.0809	Bout M10x20	Bolt M10x20
10	937.1941	Afdichtplaat Rapide 130E	Seal plate Rapide 130E
	937.1898	Afdichtplaat Rapide 165; 205	Seal plate Rapide 165; 205
	937.1899	Afdichtplaat Rapide 240; 340	Seal plate Rapide 240; 340
11	301.0754	Bout M12x90	Bolt M12x90
12	316.0702	Sluitring A13	Washer A13
13	306.0302	Borgmoer M12	Locking nut M12
14	301.0806	Bout M8x20	Bolt M8x20
15	301.0835	Bout M8x30	Bolt M8x30

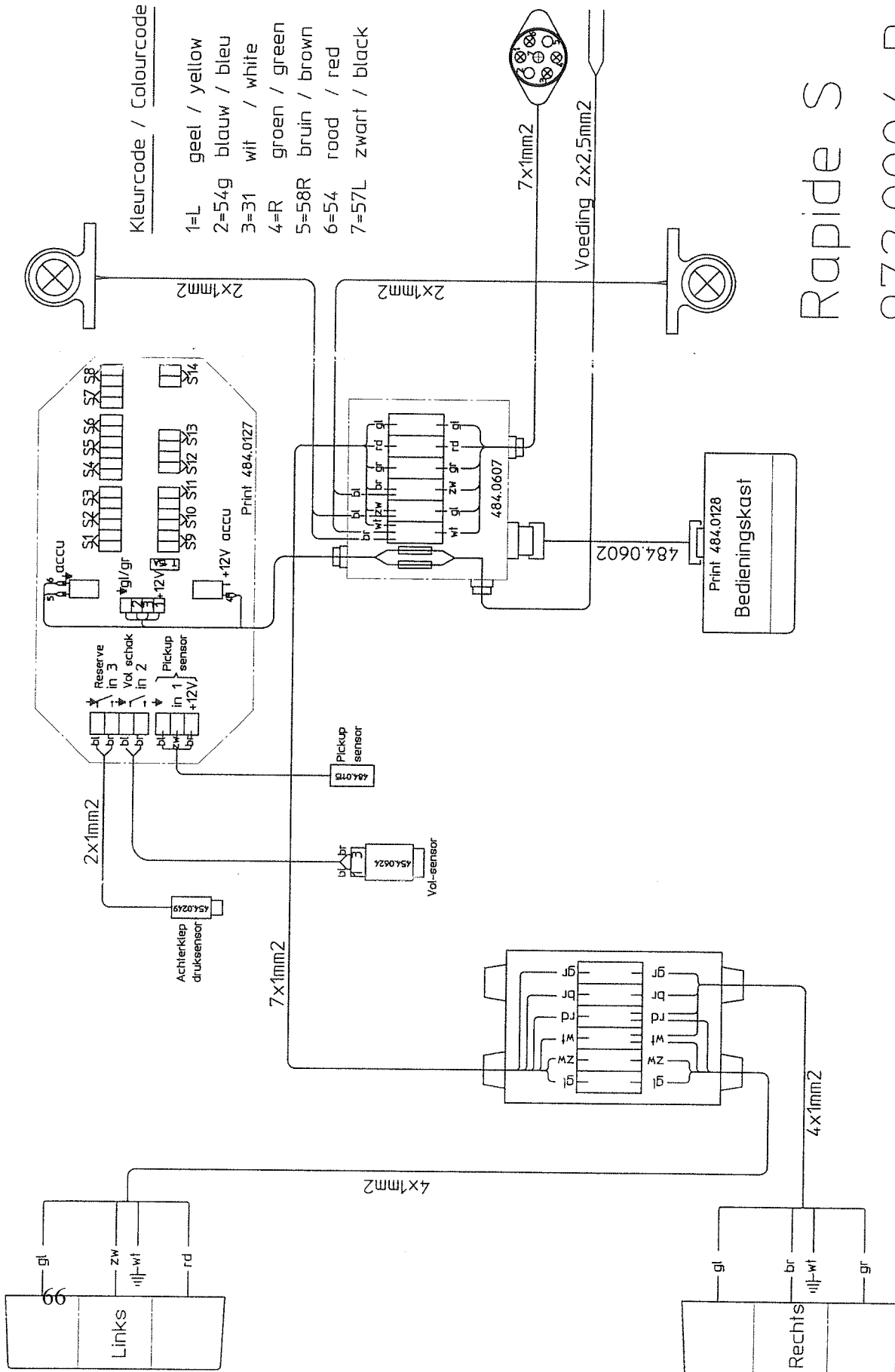
31. GEAR BOX WG-1000 13>28 351.0084

31. TANDWIELKAST WG-1000 13>28 351.0084



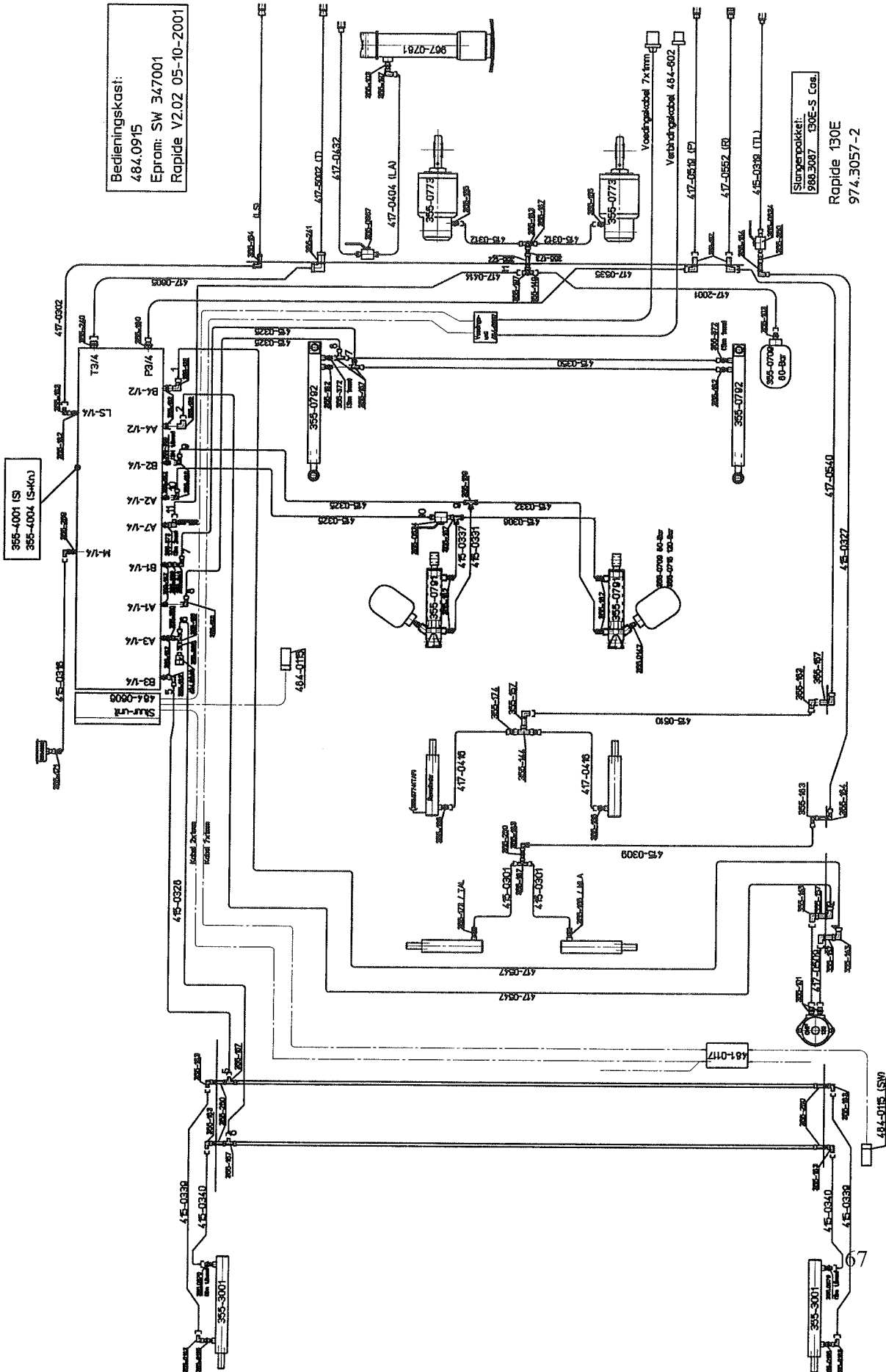


32. ELECTRICAL CIRCUIT DIAGRAM 972.0004



Rapide S
972.0004-B

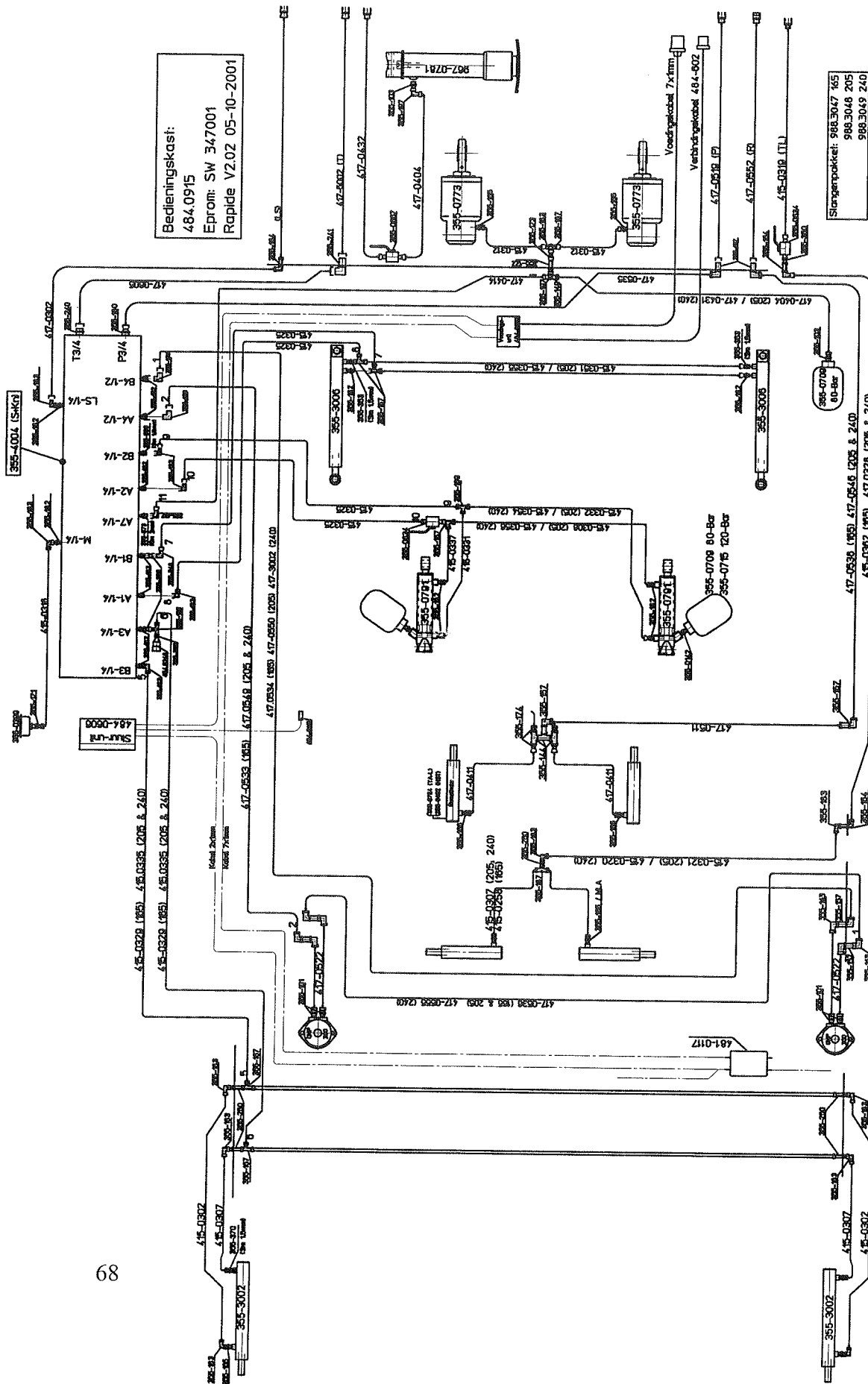
33. HYDRAULIC SYSTEM RAPIDE 130E



Bedieningskast:
484.0915
Epram: SW 347001
Rapide V2.02 05-10-2001

Slijmpakket:
985.5087 99E-S Cos
Rapide 130E
974.3057-2

34. HYDRAULIC SYSTEM RAPIDE 165; 205; 240

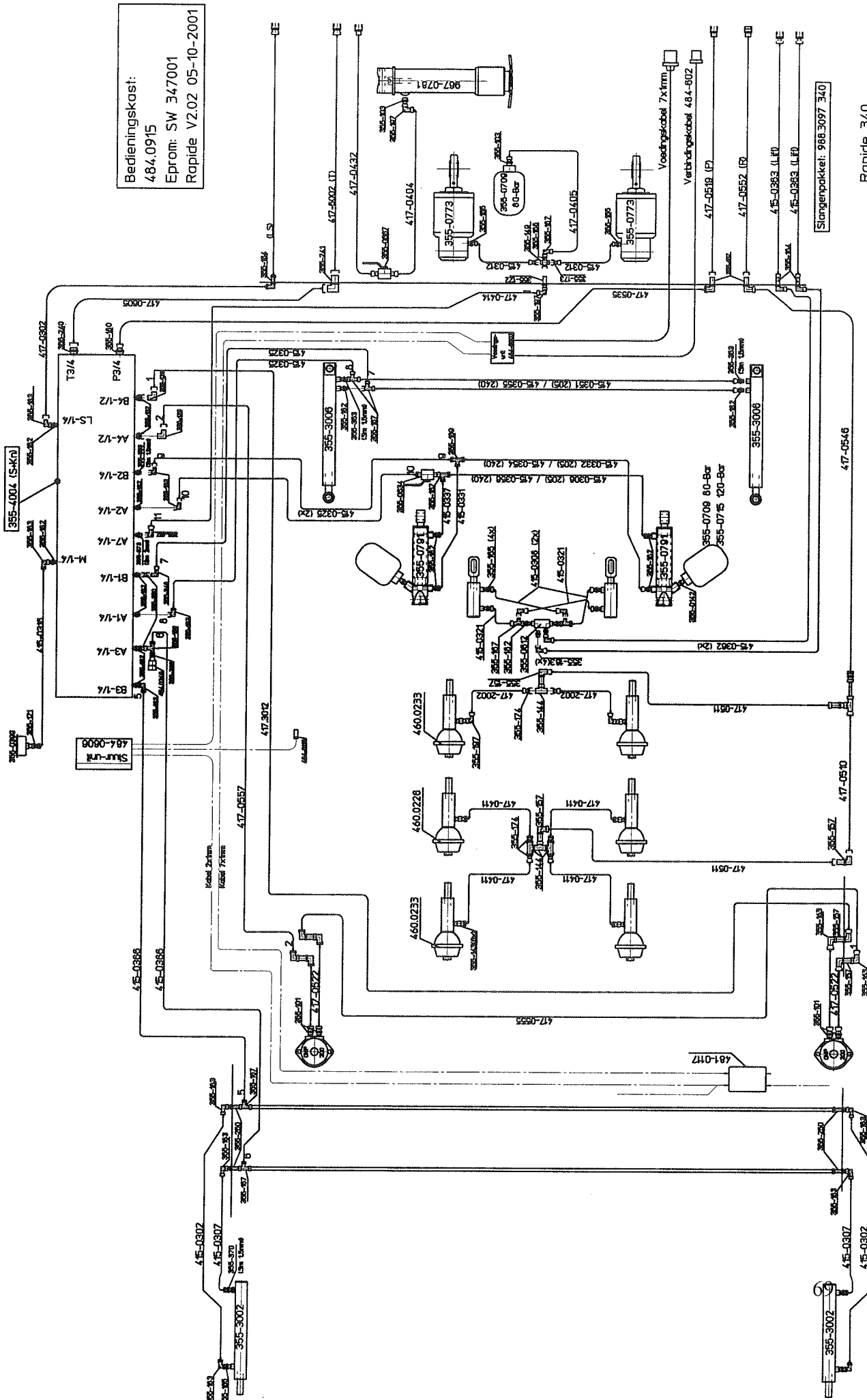


Bedieningskast:
484.0915
Eeprom: SW 347001
Rapide V2.02 05-10-2001

Slangpakket:
988.3047 165
988.3048 205
988.3049 240

Rapide 165; 205; 240
974.3043-3

35. HYDRAULIC SYSTEM RAPIDE 340



Bedieningskast:
484.0915
Eprom: SW 347001
Rapide V2.02 05-10-2001

Slangenpakket: 968.3097 340

Rapide 340
974.3059-1